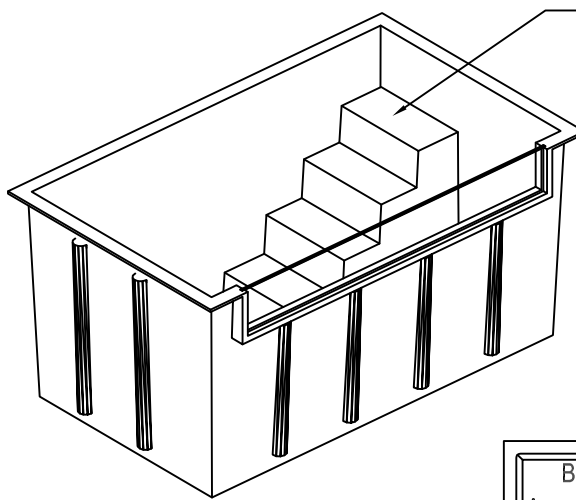


Baptistry Info

Width: 4'-6"
 Length: 7'-6"
 Interior Depth: 3'-6"
 Water Capacity: 675 gal.
 Unit Weight: 310 lb. Dry

Available in Blue, White, or Bone
 Window is Optional

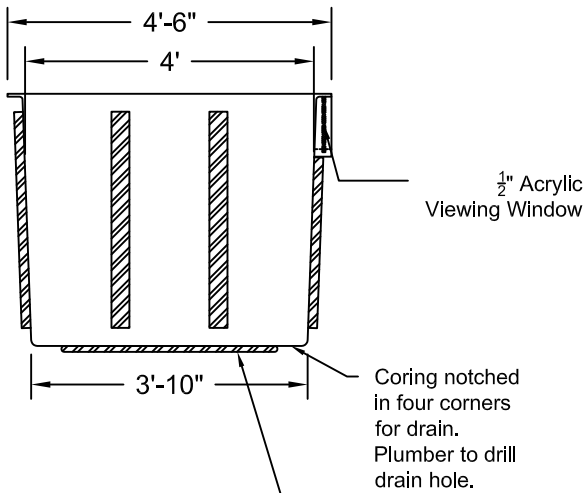
Note:
 All interior corners are rounded for safety



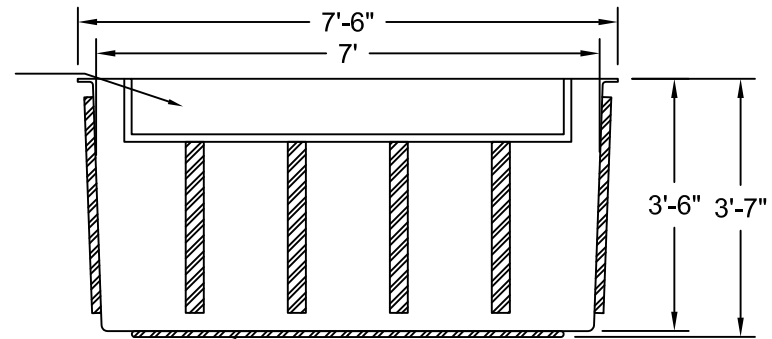
Steps can be located to your specification. Specify at time of ordering. Right Rear Side Entry shown.

- Common Step Locations
- A Left Rear Side Entry
 - B Left Rear Back Entry
 - C Right Rear Back Entry
 - D Right Rear Side Entry
 - E Right Front Side Entry
 - F Left Front Side Entry

3D VIEW



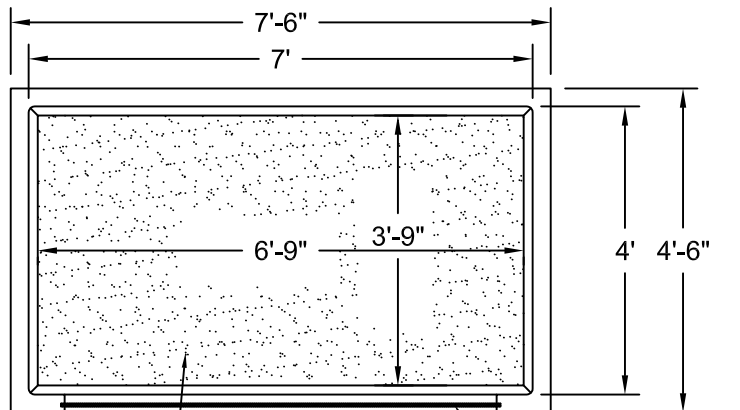
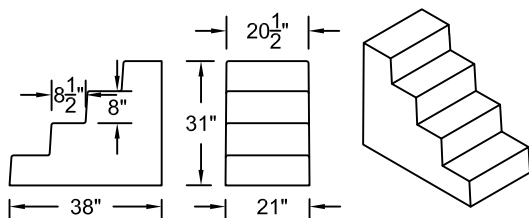
SIDE VIEW



FRONT VIEW

Drain can be located in any of the four corners

Fiberglass Steps - Color same as Interior of Baptistry



TOP VIEW

Texture surfaces for slip resistance

Drawings are property of Fiberglass Unlimited, Inc.

Dimensions may change slightly to accommodate manufacturing.

BAPTISTRIES

MODEL 7A

FIBERGLASS UNLIMITED, INC

Phone: 1-800-837-6211

Fax: 334-863-7975

Email: info@FiberG.com

183 Industrial Ave.
 Roanoke, Alabama 36274