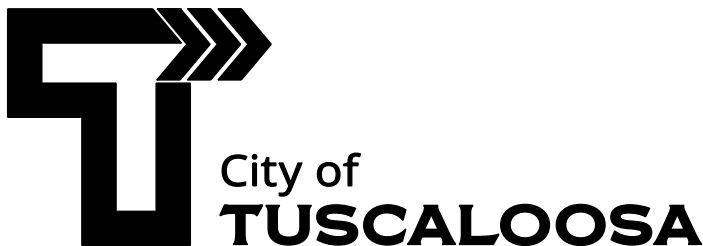


\*NOTE: GALVANIZED DRESSER COUPLINGS ARE NOT ACCEPTABLE.



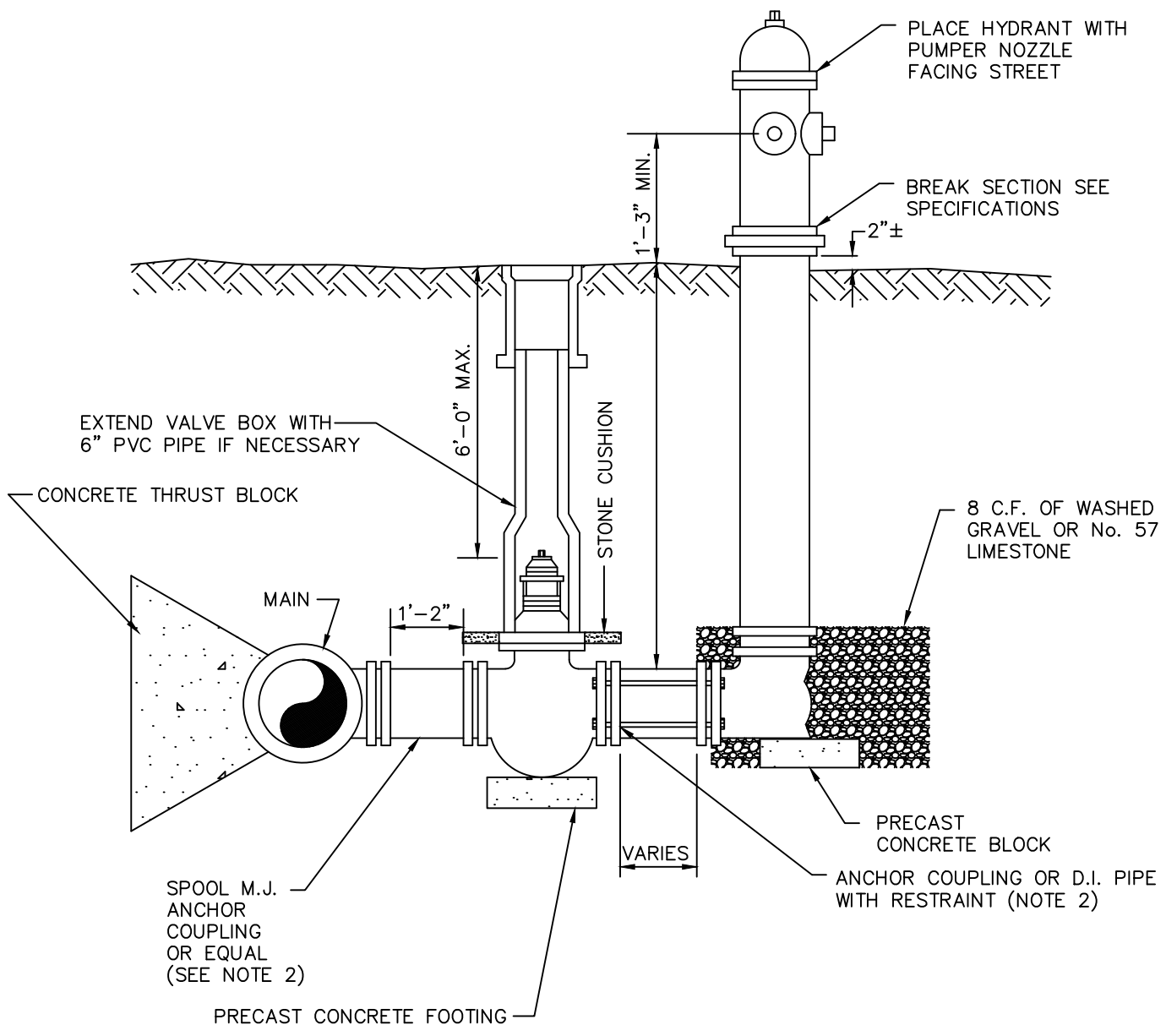
THIS DRAWING AND ALL INFORMATION SHOWN HEREON IS THE PROPERTY OF THE CITY OF TUSCALOOSA AND MAY NOT BE REPRODUCED OR USED WITHOUT WRITTEN CONSENT OF THE CITY OF TUSCALOOSA.  
 COPYRIGHT © 2016 CITY OF TUSCALOOSA

## 2" Flush Assembly

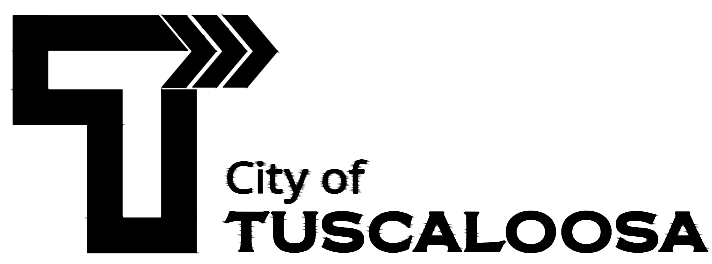
### WATER DISTRIBUTION STANDARD DETAILS

REVISION		
DATE	DESCRIPTION	BY
3/15/21	DRESSER COUPLING MATERIAL	BMG

FILE NAME: 2IN-FLUSH-ASSEMBLY	APPROVED BY: CITY OF TUSCALOOSA	PAGE NO. <b>9-1</b>
DRAWN BY: BMG	INFRASTRUCTURE AND PUBLIC SERVICES	
DATE: 10/13/17		
SCALE: NOT TO SCALE		



- NOTE:
1. PLACE CONCRETE TO AVOID INTERFERENCE WITH BOLTS, GLANDS, ETC.
  2. ALL VALVES AND HYDRANTS SHALL BE RESTRAINED WITH ANCHOR COUPLINGS OR 3/4" ALL THREAD RODS.



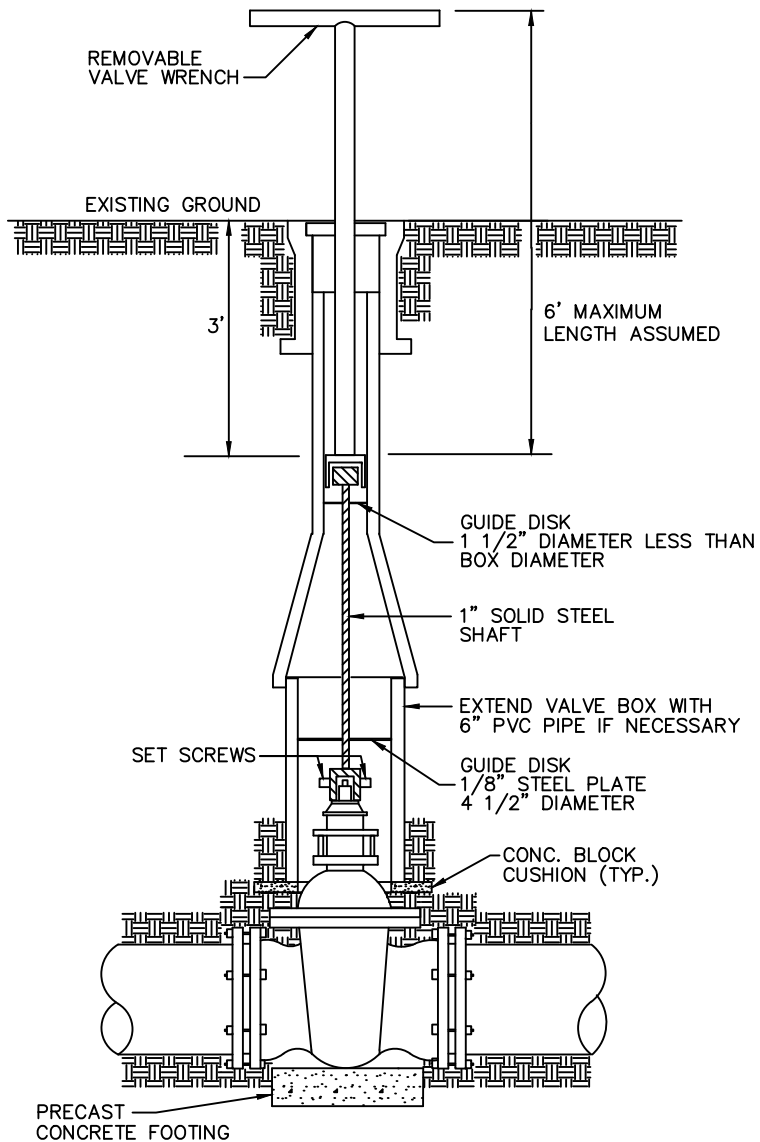
THIS DRAWING AND ALL INFORMATION SHOWN HEREON IS THE PROPERTY OF THE CITY OF TUSCALOOSA AND MAY NOT BE REPRODUCED OR USED WITHOUT WRITTEN CONSENT OF THE CITY OF TUSCALOOSA.  
 COPYRIGHT © 2016 CITY OF TUSCALOOSA

# Fire Hydrant Assembly

## WATER DISTRIBUTION STANDARD DETAILS

REVISION		
DATE	DESCRIPTION	BY

FILE NAME: FIRE-HYDRANT	APPROVED BY: CITY OF TUSCALOOSA	PAGE NO. <b>9-2</b>
DRAWN BY: BMC	INFRASTRUCTURE AND PUBLIC SERVICES	
DATE: 10/13/17		
SCALE: NOT TO SCALE		



City of  
**TUSCALOOSA**

THIS DRAWING AND ALL INFORMATION SHOWN HEREON IS THE PROPERTY OF THE CITY OF TUSCALOOSA AND MAY NOT BE REPRODUCED OR USED WITHOUT WRITTEN CONSENT OF THE CITY OF TUSCALOOSA.

COPYRIGHT © 2016 CITY OF TUSCALOOSA

## Valve Box and Operating Nut Extension

*WATER DISTRIBUTION STANDARD DETAILS*

*REVISION*

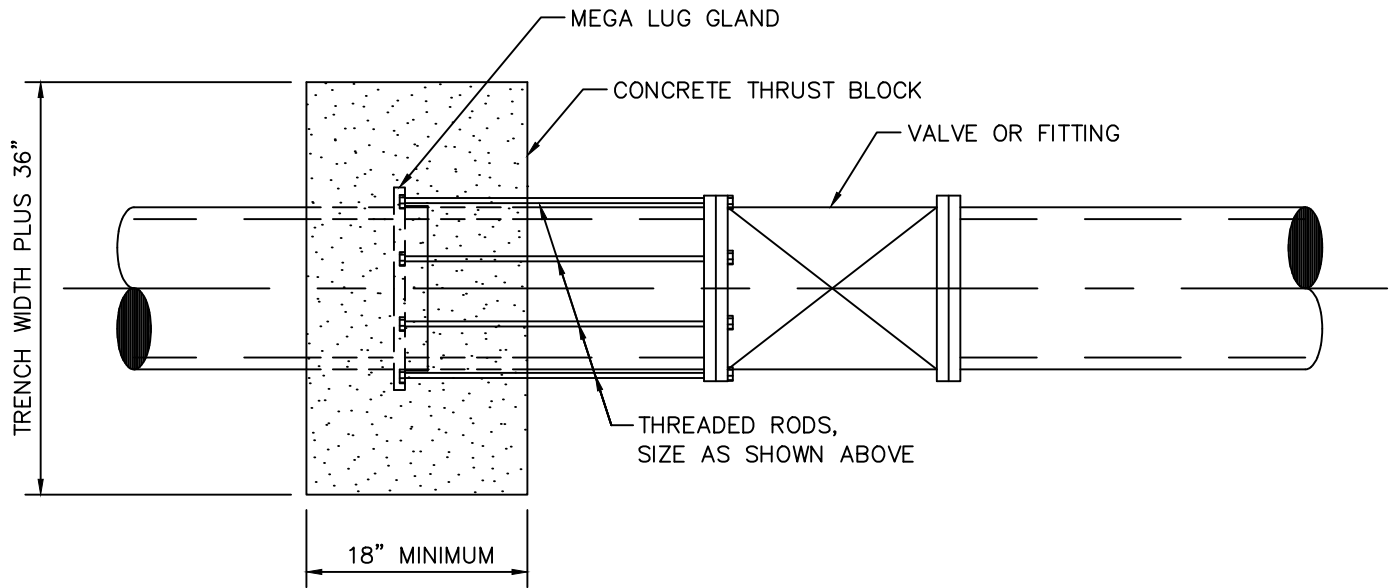
DATE	DESCRIPTION	BY

FILE NAME: VALVE BOX & OP-NUT EXT  
DRAWN BY: BMC  
DATE: 10/13/17  
SCALE: NOT TO SCALE

APPROVED BY:  
CITY OF TUSCALOOSA  
INFRASTRUCTURE  
AND PUBLIC SERVICES

PAGE NO.

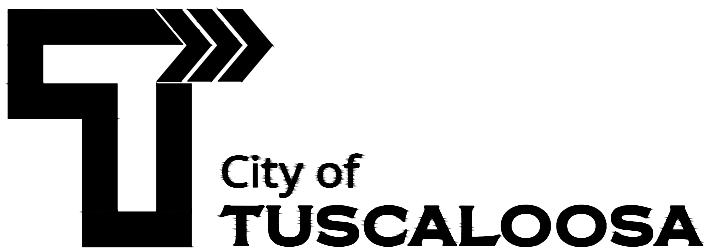
**9-3**



NUMBER OF TIE RODS REQUIRED  
FOR TEES, PLUGS, OR CAPS.  
TIE RODS SHALL BE ZINC PLATED STEEL,  
THREADED.

PIPE SIZE	ROD SIZE	No. OF RODS
6"	3/4"	2
8"	3/4"	2
10"	3/4"	2
12"	3/4"	4
14"	3/4"	4
16"	3/4"	6
18"	3/4"	6
20"	3/4"	8
24"	3/4"	12
30"	1"	10
36"	1"	12

\*ENGINEER SHALL SPECIFY ADDITIONAL RODS AS REQUIRED



THIS DRAWING AND ALL INFORMATION SHOWN HEREON IS THE PROPERTY OF THE CITY OF TUSCALOOSA AND MAY NOT BE REPRODUCED OR USED WITHOUT WRITTEN CONSENT OF THE CITY OF TUSCALOOSA.

COPYRIGHT © 2016 CITY OF TUSCALOOSA

## End Line Restraint

### WATER DISTRIBUTION STANDARD DETAILS

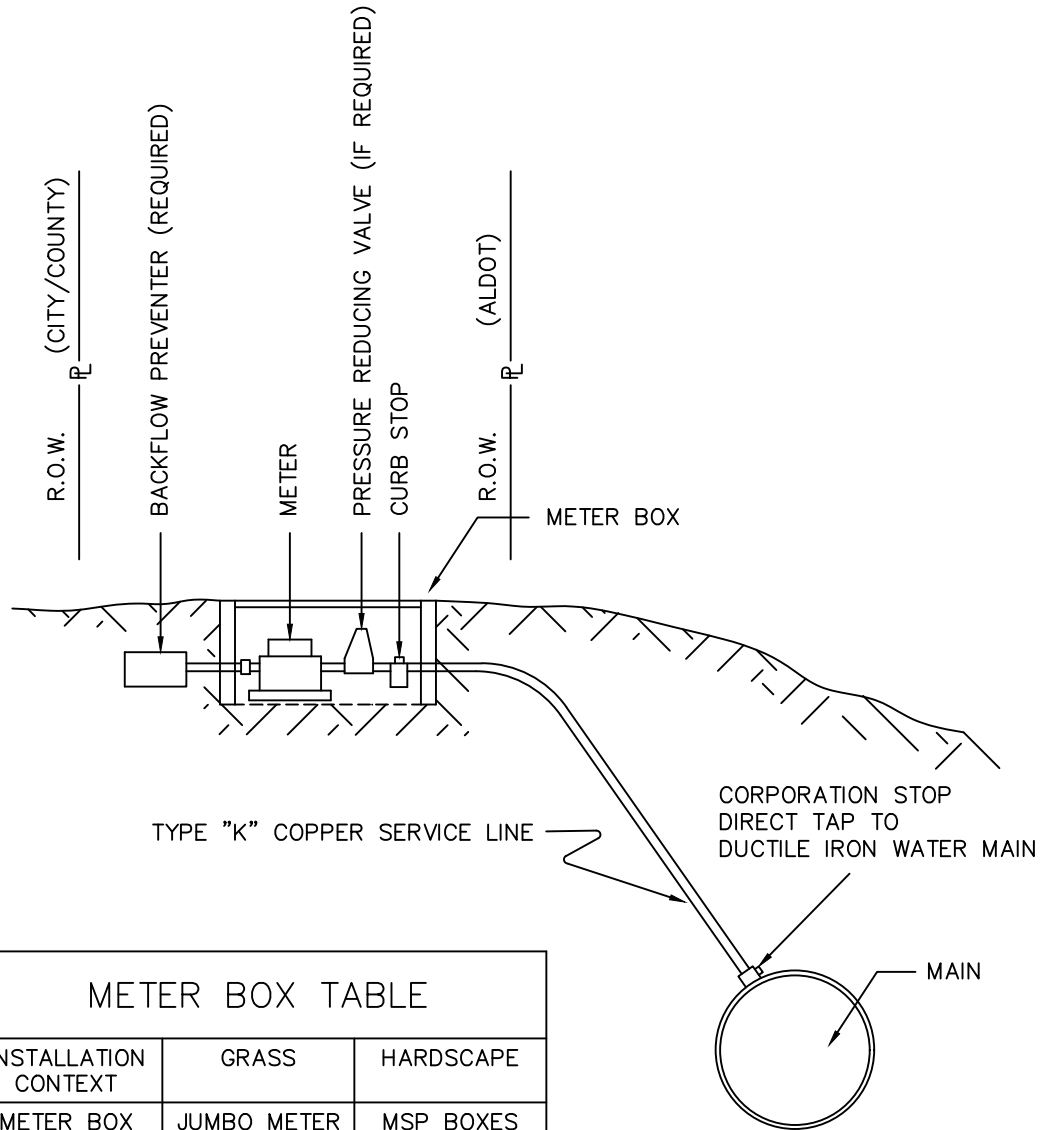
#### REVISION

DATE	DESCRIPTION	BY

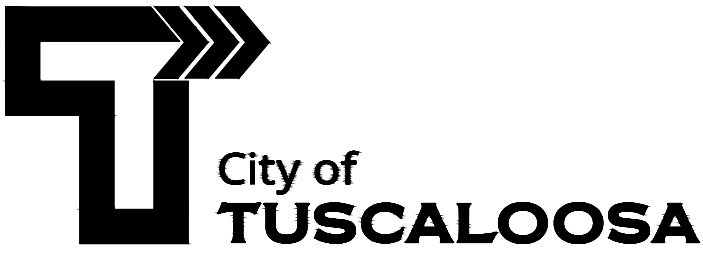
FILE NAME: END-LINE-RESTRAINT  
DRAWN BY: BMC  
DATE: 10/13/17  
SCALE: NOT TO SCALE

APPROVED BY:  
CITY OF TUSCALOOSA  
INFRASTRUCTURE  
AND PUBLIC SERVICES

PAGE NO.  
**9-4**



METER BOX TABLE		
INSTALLATION CONTEXT	GRASS	HARDSCAPE
METER BOX TYPE	JUMBO METER BOX	MSP BOXES
METER SIZE	METER BOX SIZE	
3/4"	13"X20"X12"	11"X18"X12"
1"	13"X20"X12"	13"X24"X12"



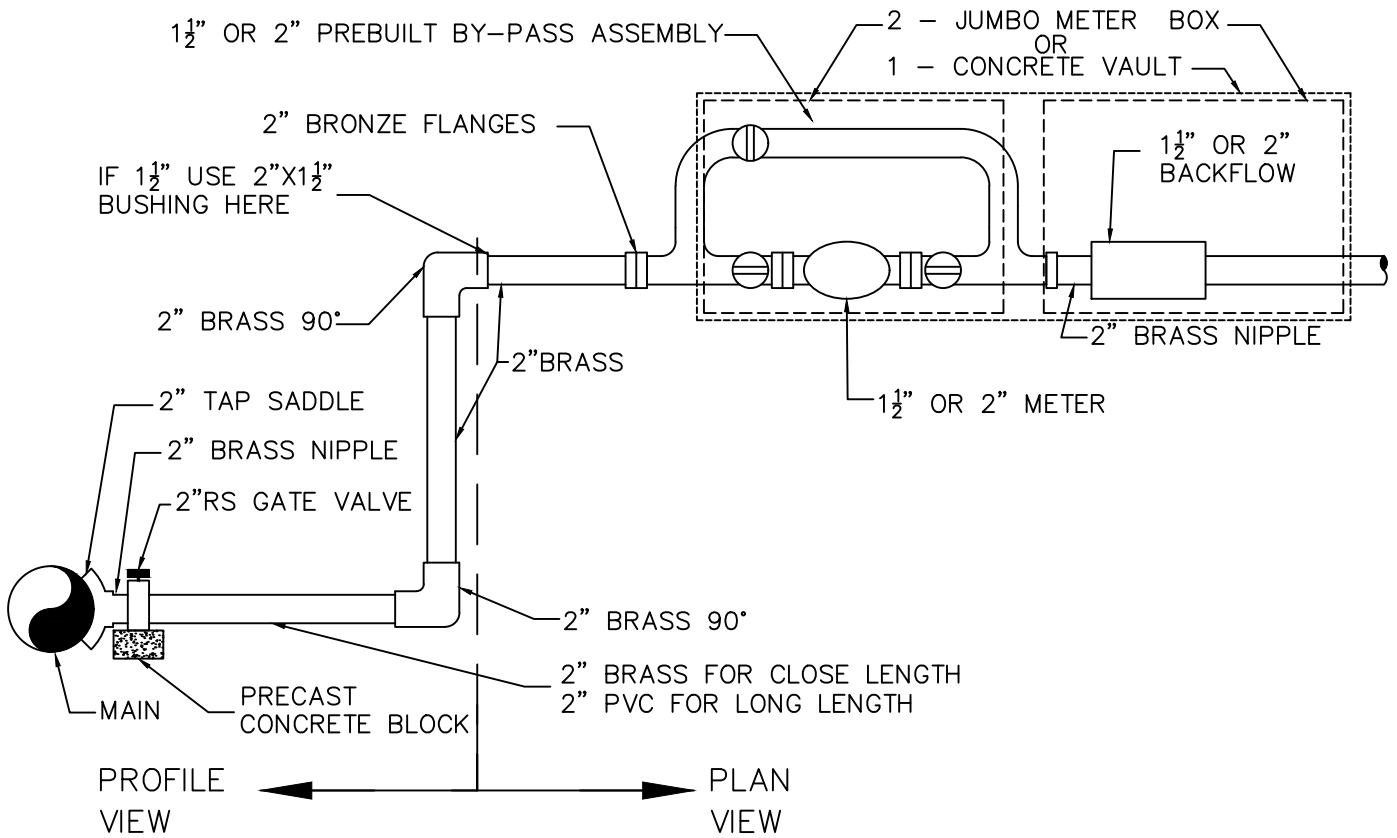
## 3/4" & 1" METER SET

### WATER DISTRIBUTION STANDARD DETAILS

REVISION		
DATE	DESCRIPTION	BY
3/15/21	METER SET INSTALLATION BOX NOTES	BMG

THIS DRAWING AND ALL INFORMATION SHOWN HEREON IS THE PROPERTY OF THE CITY OF TUSCALOOSA AND MAY NOT BE REPRODUCED OR USED WITHOUT WRITTEN CONSENT OF THE CITY OF TUSCALOOSA.  
 COPYRIGHT © 2016 CITY OF TUSCALOOSA

FILE NAME: SERVICE-INSTALLATION	APPROVED BY: CITY OF TUSCALOOSA INFRASTRUCTURE AND PUBLIC SERVICES	PAGE NO. <b>9-5a</b>
DRAWN BY: BMG		
DATE: 3/15/21		
SCALE: NOT TO SCALE		



METER SETS		
INSTALLATION CONTEXT	GRASS	HARDSCAPE
METER BOX TYPE	2- JUMBO METER BOXES	QUAZITE VAULTS
1.5"	13"X20"X12"	3'X5'
2"	13"X20"X12"	3'X5'

NOTE: CONCRETE VAULTS NOT SUPPLIED BY CITY.



THIS DRAWING AND ALL INFORMATION SHOWN HEREON IS THE PROPERTY OF THE CITY OF TUSCALOOSA AND MAY NOT BE REPRODUCED OR USED WITHOUT WRITTEN CONSENT OF THE CITY OF TUSCALOOSA.

COPYRIGHT © 2016 CITY OF TUSCALOOSA

## 1 1/2" & 2" METER SET

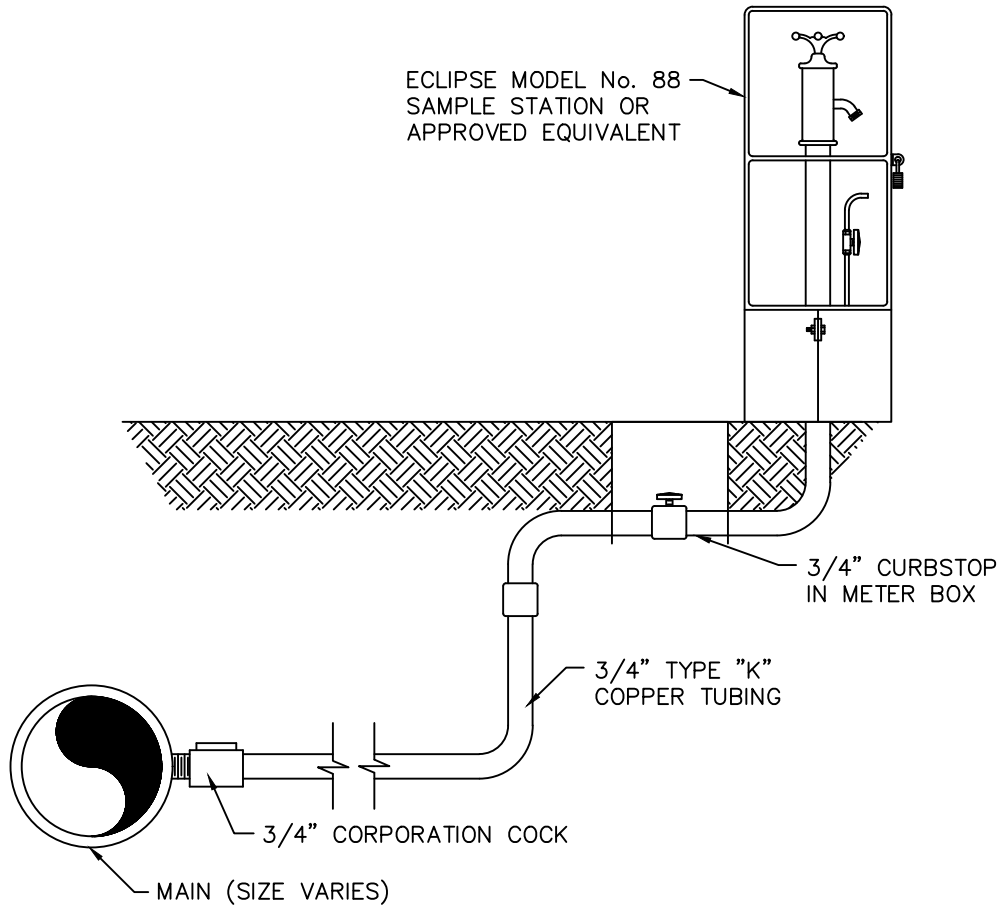
### WATER DISTRIBUTION STANDARD DETAILS

REVISION		
DATE	DESCRIPTION	BY
3/15/21	METER SET INSTALLATION BOX NOTES	BMG

FILE NAME: SERVICE-INSTALLATION  
 DRAWN BY: BMG  
 DATE: 3/15/21  
 SCALE: NOT TO SCALE

APPROVED BY:  
 CITY OF TUSCALOOSA  
 INFRASTRUCTURE  
 AND PUBLIC SERVICES

PAGE NO.  
**9-5b**



City of  
**TUSCALOOSA**

THIS DRAWING AND ALL INFORMATION SHOWN HEREON IS THE PROPERTY OF THE CITY OF TUSCALOOSA AND MAY NOT BE REPRODUCED OR USED WITHOUT WRITTEN CONSENT OF THE CITY OF TUSCALOOSA.

COPYRIGHT © 2016 CITY OF TUSCALOOSA

## Bacteriological Sampling Station

### WATER DISTRIBUTION STANDARD DETAILS

REVISION		
DATE	DESCRIPTION	BY

FILE NAME: BACT-STATION

DRAWN BY: BMG

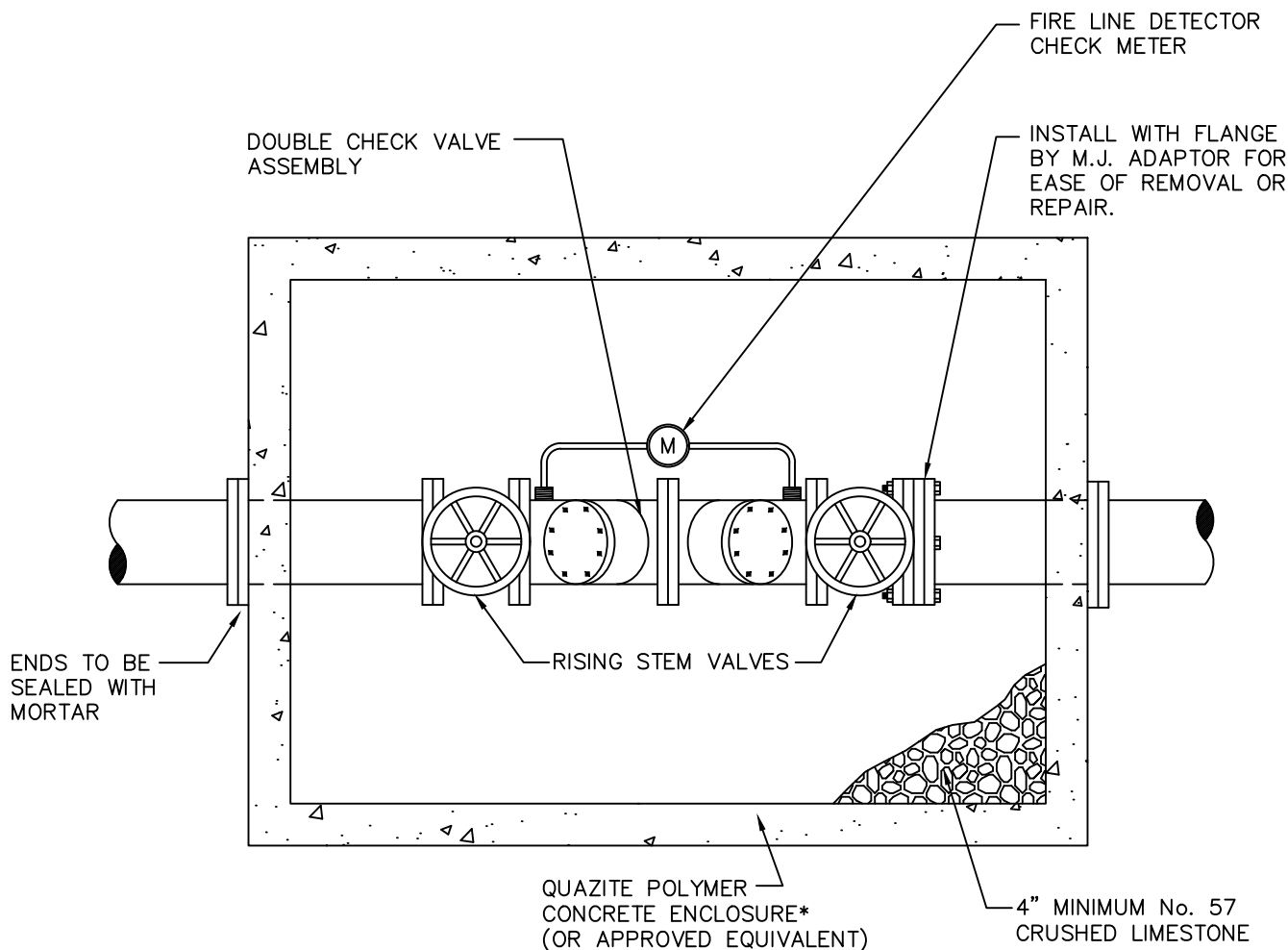
DATE: 10/13/17

SCALE: NOT TO SCALE

APPROVED BY:  
CITY OF TUSCALOOSA  
INFRASTRUCTURE  
AND PUBLIC SERVICES

PAGE NO.

**9-6**

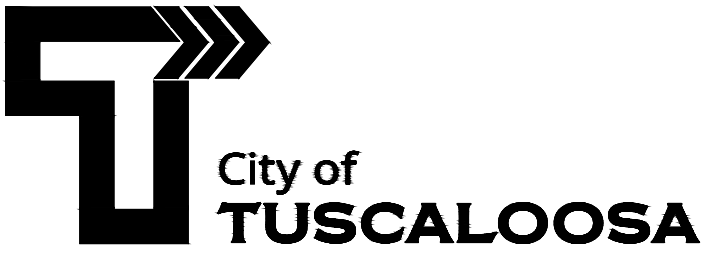


ENDS TO BE SEALED WITH MORTAR

NOTE: DOUBLE CHECK VALVE ASSEMBLY, PIPING AND VAULT SIZE WILL VARY DEPENDING ON MAIN SIZE. DETAIL SHOWN IS PROVIDED AS A "TYPICAL" INSTALLATION. CITY WILL ALLOW DEVELOPER INSTALLED FIRE PROTECTION TAMPER SWITCHES. THE CITY WILL NOT MAINTAIN THE SWITCHES.

FIRE LINE SIZE	VAULT SIZE
2"	2'X3'
3"	3'X5'
4"	3'X5'
6"	4'X6'
8"	4'X6'

\* LOCATION OF ASSEMBLY MAY REQUIRE AN ENCLOSURE RATED FOR HIGHER LOADS.



THIS DRAWING AND ALL INFORMATION SHOWN HEREON IS THE PROPERTY OF THE CITY OF TUSCALOOSA AND MAY NOT BE REPRODUCED OR USED WITHOUT WRITTEN CONSENT OF THE CITY OF TUSCALOOSA.  
 COPYRIGHT © 2016 CITY OF TUSCALOOSA

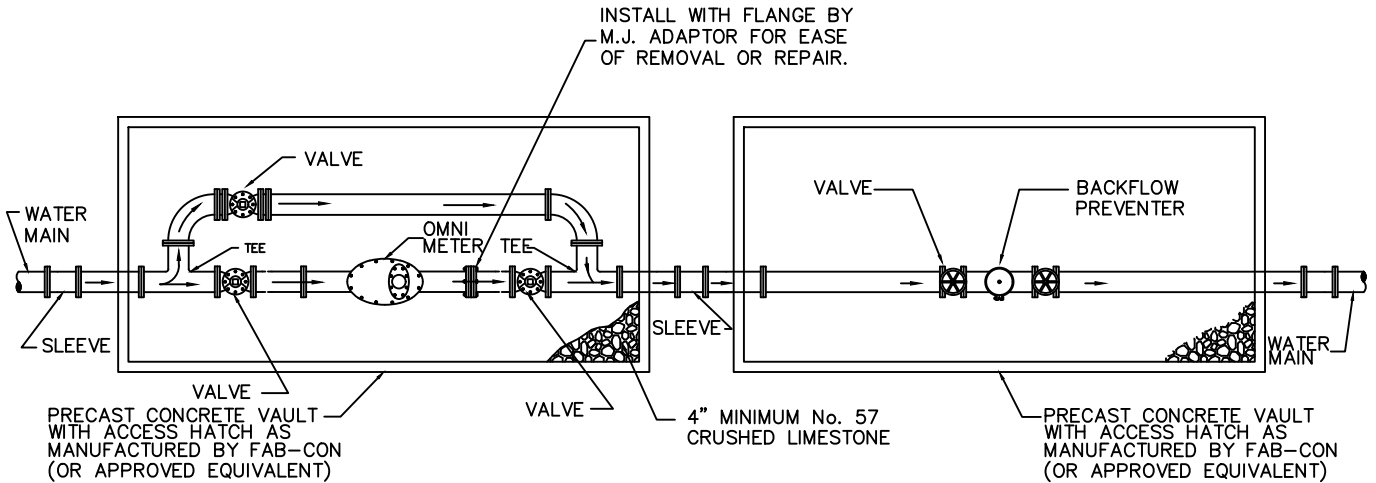
## Double Check Valve Assembly

### WATER DISTRIBUTION STANDARD DETAILS

REVISION		
DATE	DESCRIPTION	BY
9/30/20	FIRE LINE DETECTOR CHECK METER	BMG
3/15/21	2" FIRE LINE SIZE ADDED	BMG

FILE NAME: DBL-VALVE-ASSY	APPROVED BY: CITY OF TUSCALOOSA	PAGE NO. <b>9-7</b>
DRAWN BY: BMG	INFRASTRUCTURE AND PUBLIC SERVICES	
DATE: 10/03/2017		
SCALE: NOT TO SCALE		

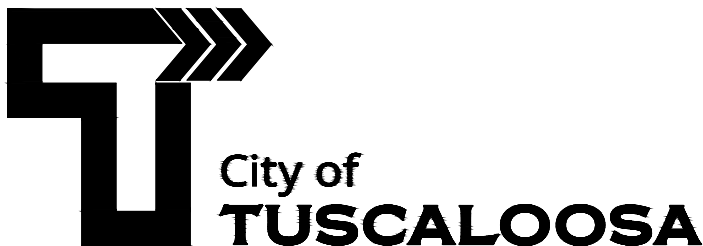




NOTE: ALL PIPING INCLUDED IN METER STATION INSTALLATION SHALL BE CL. 250 DUCTILE IRON, FLANGED. DIMENSIONS SHOWN ARE APPROXIMATE & MAY VARY WITH DIFFERENT FITTINGS & VALVE MANUFACTURERS. METER, VALVE AND PIPING SIZE WILL VARY DEPENDING ON FLOW REQUIRED, DETAIL SHOWN IS PROVIDED AS A "TYPICAL" INSTALLATION.

METER SIZE	METER VAULT SIZE	BACK FLOW PREVENTER VAULT SIZE
3"	3' X 5' X 3'	3' X 5' X 3'
4"	4' X 6' X 4'	4' X 6' X 4'
6"	4' X 8' X 4'	4' X 6' X 4'
8"	4' X 8' X 4'	4' X 6' X 4'

NOTE: ENTIRE ASSEMBLY W/ BACKFLOW (PURCHASED FROM CITY OF TUSCALOOSA)



THIS DRAWING AND ALL INFORMATION SHOWN HEREON IS THE PROPERTY OF THE CITY OF TUSCALOOSA AND MAY NOT BE REPRODUCED OR USED WITHOUT WRITTEN CONSENT OF THE CITY OF TUSCALOOSA.

COPYRIGHT © 2016 CITY OF TUSCALOOSA

## 3" AND LARGER METER SET

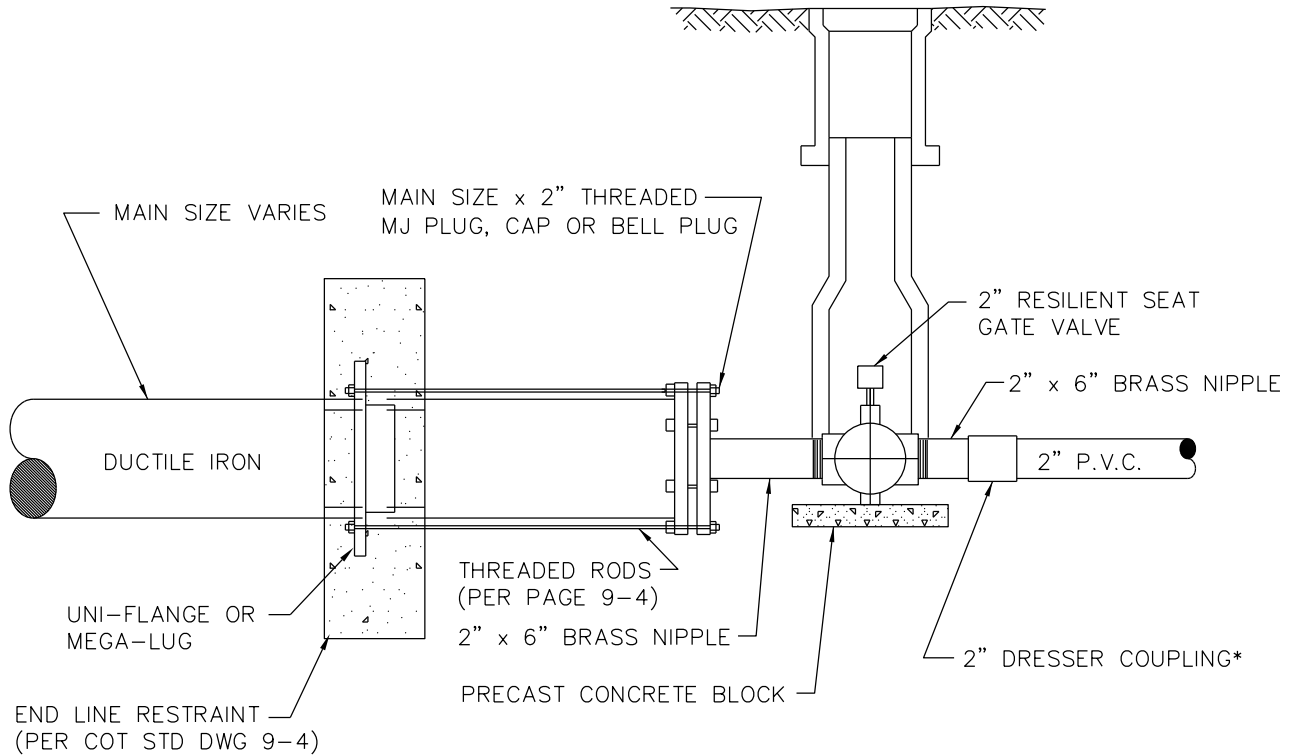
### WATER DISTRIBUTION STANDARD DETAILS

REVISION		
DATE	DESCRIPTION	BY
3/17/21	BFP VAULT SIZE REQUIREMENTS	BB&BG

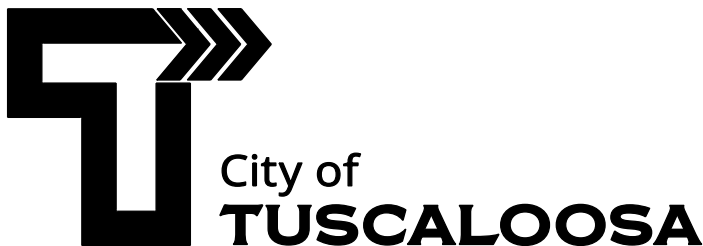
FILE NAME: METER-STATION  
 DRAWN BY: BMG  
 DATE: 10/03/2017  
 SCALE: NOT TO SCALE

APPROVED BY:  
 CITY OF TUSCALOOSA  
 INFRASTRUCTURE  
 AND PUBLIC SERVICES

PAGE NO.  
**9-8**



\*NOTE: GALVANIZED DRESSER COUPLINGS ARE NOT ACCEPTABLE.



THIS DRAWING AND ALL INFORMATION SHOWN HEREON IS THE PROPERTY OF THE CITY OF TUSCALOOSA AND MAY NOT BE REPRODUCED OR USED WITHOUT WRITTEN CONSENT OF THE CITY OF TUSCALOOSA.

COPYRIGHT © 2016 CITY OF TUSCALOOSA

## 2" Watermain Reducer Assembly

### WATER DISTRIBUTION STANDARD DETAILS

#### REVISION

DATE	DESCRIPTION	BY
3/15/21	DRESSER COUPLING MATERIAL	BMG

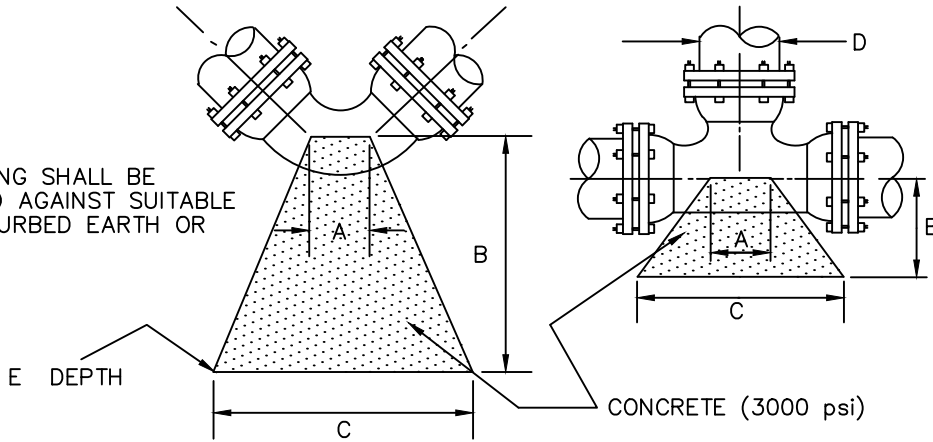
FILE NAME: 2" WATERMAIN REDUCER  
 DRAWN BY: BMG  
 DATE: 10/13/17  
 SCALE: NOT TO SCALE

APPROVED BY:  
 CITY OF TUSCALOOSA  
 INFRASTRUCTURE  
 AND PUBLIC SERVICES

PAGE NO.  
**9-9**

NOTE:

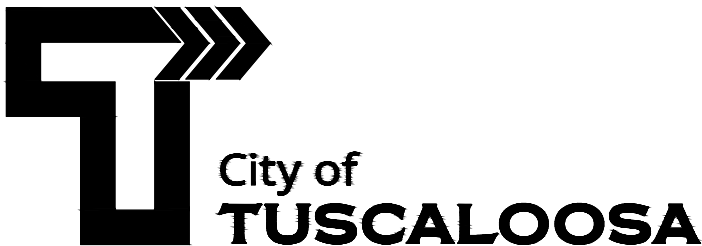
BLOCKING SHALL BE PLACED AGAINST SUITABLE UNDISTURBED EARTH OR ROCK.



PIPE SIZE D	BLOCK DIMENSION				FITTING TYPE
	A	B	C	E	
6" OR LESS	10"	2'-0"	2'-6"	2'-6"	90°, 45°, 22½°, 11¼° BENDS
6" OR LESS	10"	2'-0"	2'-6"	2'-0"	DEAD ENDS, TEES
8"	10"	2'-0"	3'-0"	2'-6"	90°, 45°, 22½°, 11¼° BENDS
8"	10"	2'-0"	3'-0"	2'-0"	DEAD ENDS, TEES
10"	1'-2"	3'-0"	3'-6"	3'-0"	90°, 45°, 22½°, 11¼° BENDS
10"	1'-2"	3'-0"	3'-6"	2'-6"	DEAD ENDS, TEES
12"	1'-2"	3'-0"	4'-6"	3'-6"	90°, 45°, 22½°, 11¼° BENDS
12"	1'-2"	3'-0"	4'-6"	3'-0"	DEAD ENDS, TEES
14"	1'-6"	3'-6"	5'-0"	4'-0"	90°, 45°, 22½°, 11¼° BENDS
14"	1'-6"	3'-6"	5'-0"	3'-0"	DEAD ENDS, TEES
16"	1'-6"	3'-6"	5'-0"	5'-0"	90°, 45°, 22½°, 11¼° BENDS
16"	1'-6"	3'-6"	5'-0"	4'-0"	DEAD ENDS, TEES

\* THRUST BLOCKS FOR LINES GREATER THAN 16" SHALL BE DESIGNED BY THE DESIGN ENGINEER FOR THE INDIVIDUAL PROJECT.

SOURCE : DIPRA THRUST RESTRAINT DESIGN FOR DUCTILE IRON PIPE



THIS DRAWING AND ALL INFORMATION SHOWN HEREON IS THE PROPERTY OF THE CITY OF TUSCALOOSA AND MAY NOT BE REPRODUCED OR USED WITHOUT WRITTEN CONSENT OF THE CITY OF TUSCALOOSA.

COPYRIGHT © 2016 CITY OF TUSCALOOSA

## Thrust Block Detail

**WATER DISTRIBUTION STANDARD DETAILS**

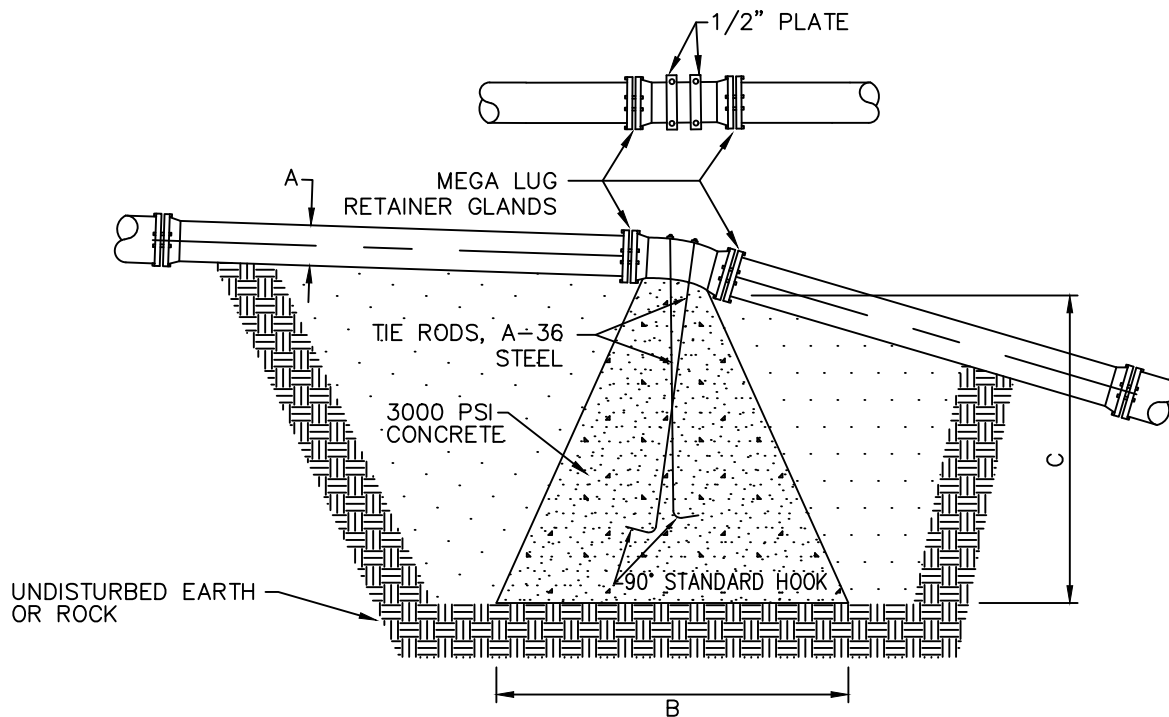
**REVISION**

DATE	DESCRIPTION	BY

FILE NAME: THRUST-BLOCK  
 DRAWN BY: BMG  
 DATE: 10/13/17  
 SCALE: NOT TO SCALE

APPROVED BY:  
 CITY OF TUSCALOOSA  
 INFRASTRUCTURE  
 AND PUBLIC SERVICES

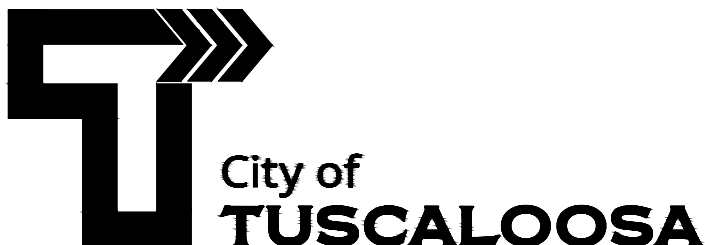
PAGE NO.  
**9-10**



PIPE DIAMETER A	C.Y. REQ'D 45° BEND	BASE B	HEIGHT C	ANCHOR SIZE	ANCHOR EMBEDMENT
6" OR LESS	2.7	8' x 8'	4'-0"	3/4"	2'-0"
8"	4.0	9' x 9'	4'-6"	3/4"	2'-0"
10"	6.0	10' x 10'	5'-0"	3/4"	2'-0"
12"	8.5	12' x 12'	6'-0"	3/4"	2'-0"
14"	11.5	13' x 13'	6'-6"	3/4"	2'-0"
16"	14.8	14' x 14'	7'-0"	3/4"	2'-0"

\* GRAVITY THRUST BLOCKS FOR LINES GREATER THAN 16"  
SHALL BE DESIGNED BY THE DESIGN ENGINEER FOR THE  
INDIVIDUAL PROJECT.

SOURCE : DIPRA THRUST RESTRAINT DESIGN FOR DUCTILE IRON PIPE



THIS DRAWING AND ALL INFORMATION SHOWN HEREON IS THE PROPERTY OF THE  
CITY OF TUSCALOOSA AND MAY NOT BE REPRODUCED OR USED WITHOUT WRITTEN  
CONSENT OF THE CITY OF TUSCALOOSA.

COPYRIGHT © 2016 CITY OF TUSCALOOSA

## Gravity Thrust Block Detail

*WATER DISTRIBUTION STANDARD DETAILS*

*REVISION*

DATE	DESCRIPTION	BY

FILE NAME: G-THRUST-BLOCK  
DRAWN BY: BMC  
DATE: 10/13/17  
SCALE: NOT TO SCALE

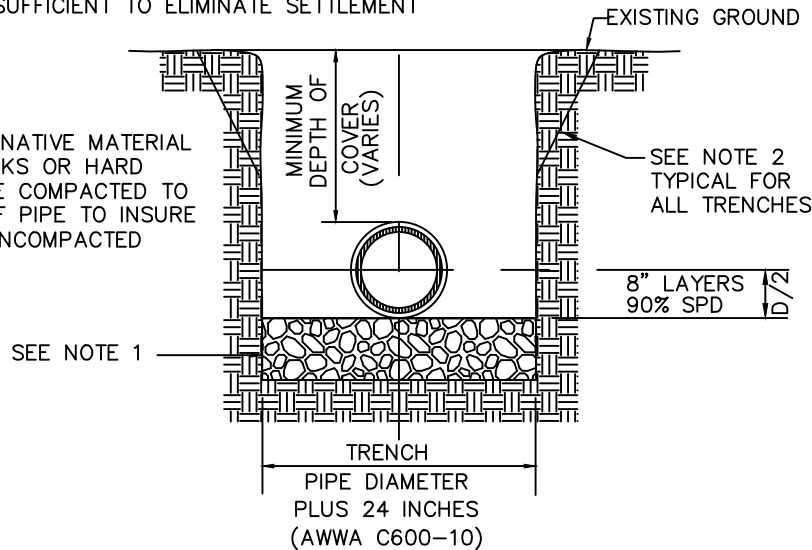
APPROVED BY:  
CITY OF TUSCALOOSA  
INFRASTRUCTURE  
AND PUBLIC SERVICES

PAGE NO.

**9-11**

IN UNIMPROVED AREAS COMPACTION SHALL BE SUFFICIENT TO ELIMINATE SETTLEMENT

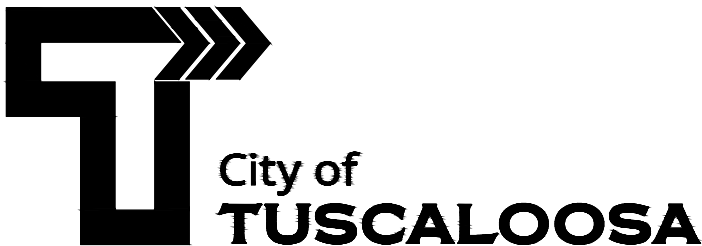
BACKFILL SHALL BE NATIVE MATERIAL FREE OF LARGE ROCKS OR HARD MATERIALS SHALL BE COMPACTED TO 90% S.P.D. TO CL OF PIPE TO INSURE THAT NO VOID OR UNCOMPACTED AREAS OCCUR.



ALL SIDE SLOPES SHALL CONFORM TO THE REQUIREMENTS ESTABLISHED BY OSHA.

**NOTES:**

- 1.) TRENCH FOUNDATION REQUIRED IF DIRECTED BY THE OWNER. DEPTH VARIES.
- 2.) ALL SLOPES SHALL CONFORM TO OSHA REQUIREMENTS. ADDITIONAL PROTECTIVE MEASURES MAY BE REQUIRED ABOVE AND BEYOND OSHA DEPENDING ON SPECIFIC TRENCH CONDITIONS. CONTRACTOR IS SOLELY RESPONSIBLE FOR THE SAFETY OF WORKERS, THE GENERAL PUBLIC, AND OTHERS INVOLVED IN THE PROJECT AND SHALL PROVIDE SHEETING, BRACING, OR WHATEVER ACTION NECESSARY TO INSURE THE SAFETY OF PEOPLE, PROPERTY, AND STRUCTURES.
- 3.) BEDDING:
  - (A) CLASS "1" SHALL BE ALDOT 801 No. 57 CRUSHED LIMESTONE (FOR P.V.C. PIPE USE ALDOT 8910)
  - (B) CLASS "2" SHALL BE REINFORCED CONCRETE 3000 PSI DESIGN MIX
  - (C) CLASS "3" SHALL BE NATIVE SOIL
- 4.) MINIMUM DEPTH OF COVER VARIES (SEE SECTION 2.10 MINIMUM / MAXIMUM COVER.)



THIS DRAWING AND ALL INFORMATION SHOWN HEREON IS THE PROPERTY OF THE CITY OF TUSCALOOSA AND MAY NOT BE REPRODUCED OR USED WITHOUT WRITTEN CONSENT OF THE CITY OF TUSCALOOSA.

COPYRIGHT © 2016 CITY OF TUSCALOOSA

**TRENCH DETAIL**  
Unimproved Areas

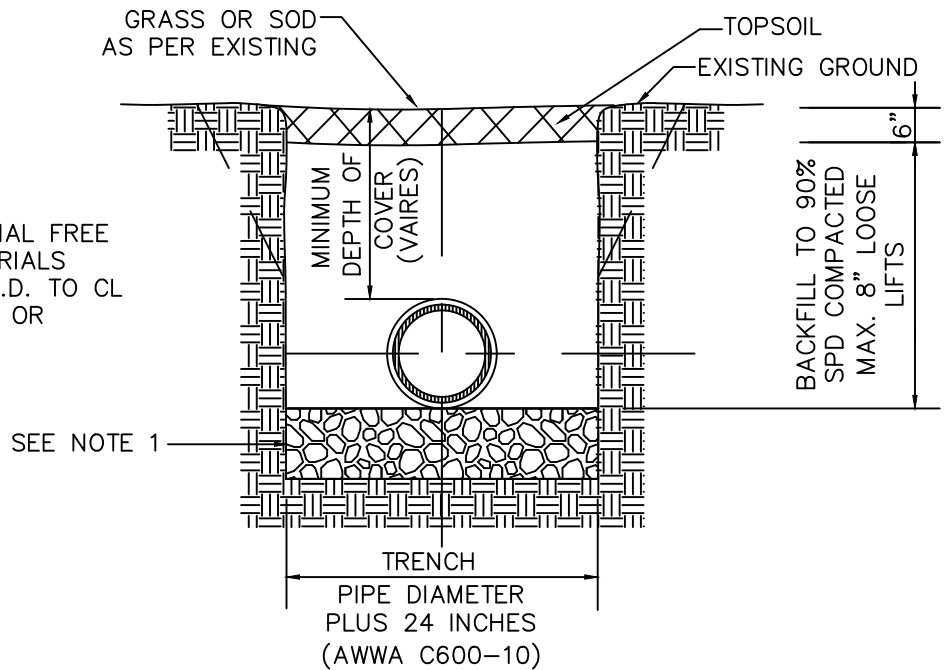
**WATER DISTRIBUTION STANDARD DETAILS**

REVISION		
DATE	DESCRIPTION	BY

FILE NAME: TRENCH	APPROVED BY: CITY OF TUSCALOOSA	PAGE NO. 9-12
DRAWN BY: BMG	INFRASTRUCTURE	
DATE: 10/13/17	CITY OF TUSCALOOSA	
SCALE: NOT TO SCALE		

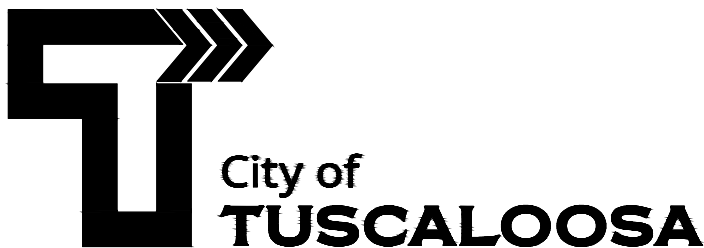
IMPROVED AREAS OR LAWNS, FROM CENTER LINE OF PIPE, MATERIAL SHALL BE PLACED IN 8" LAYERS. TOP 6" SHALL BE TOPSOIL FREE FROM ROCKS, ROOTS & ETC.

BACKFILL SHALL BE NATIVE MATERIAL FREE OF LARGE ROCKS OR HARD MATERIALS SHALL BE COMPACTED TO 90% S.P.D. TO CL OF PIPE TO INSURE THAT NO VOID OR UNCOMPACTED AREAS OCCUR.



**NOTES:**

- 1.) TRENCH FOUNDATION REQUIRED IF DIRECTED BY THE OWNER. DEPTH VARIES.
- 2.) ALL SLOPES SHALL CONFORM TO OSHA REQUIREMENTS. ADDITIONAL PROTECTIVE MEASURES MAY BE REQUIRED ABOVE AND BEYOND OSHA DEPENDING ON SPECIFIC TRENCH CONDITIONS. CONTRACTOR IS SOLELY RESPONSIBLE FOR THE SAFETY OF WORKERS, THE GENERAL PUBLIC, AND OTHERS INVOLVED IN THE PROJECT AND SHALL PROVIDE SHEETING, BRACING, OR WHATEVER ACTION NECESSARY TO INSURE THE SAFETY OF PEOPLE, PROPERTY, AND STRUCTURES.
- 3.) BEDDING:
  - (A) CLASS "1" SHALL BE ALDOT 801 No. 57 CRUSHED LIMESTONE (FOR P.V.C. PIPE USE ALDOT 8910)
  - (B) CLASS "2" SHALL BE REINFORCED CONCRETE 3000 PSI DESIGN MIX
  - (C) CLASS "3" SHALL BE NATIVE SOIL
- 4.) MINIMUM DEPTH OF COVER VARIES (SEE SECTION 2.10 MINIMUM / MAXIMUM COVER.)



THIS DRAWING AND ALL INFORMATION SHOWN HEREON IS THE PROPERTY OF THE CITY OF TUSCALOOSA AND MAY NOT BE REPRODUCED OR USED WITHOUT WRITTEN CONSENT OF THE CITY OF TUSCALOOSA.

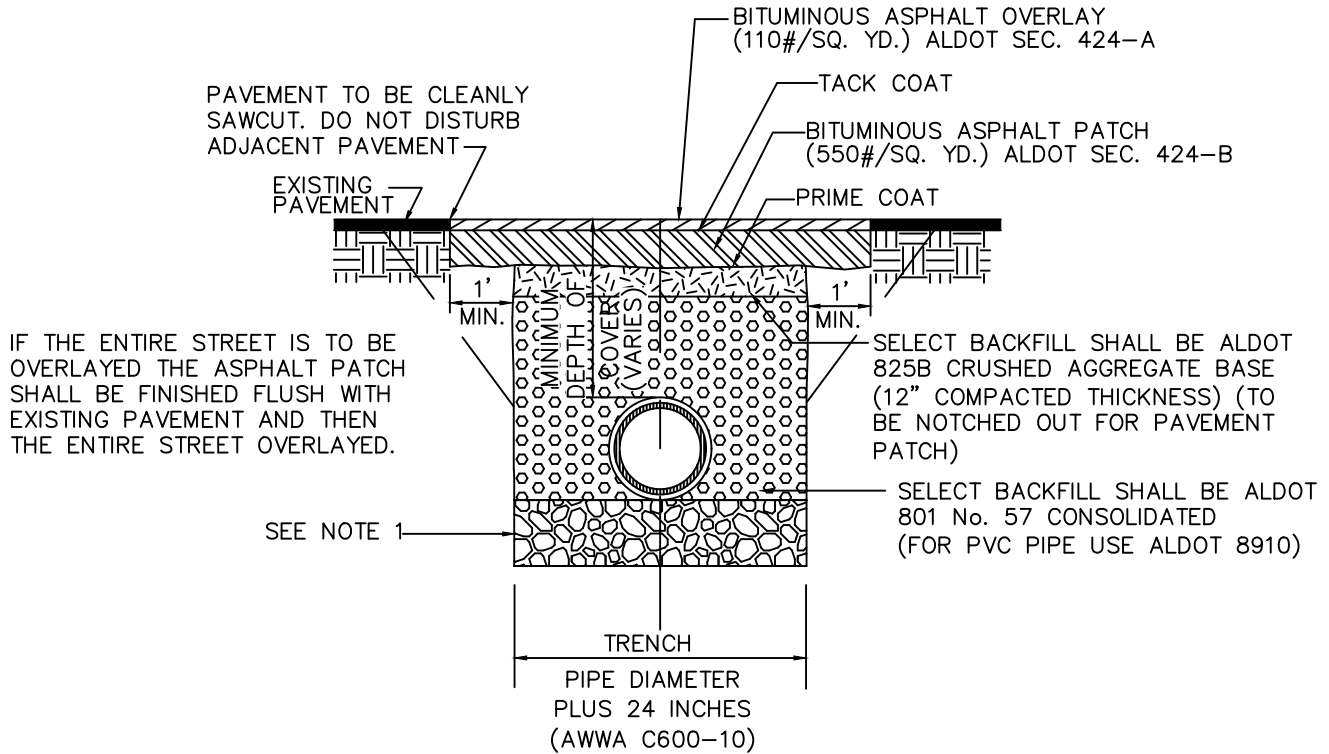
COPYRIGHT © 2016 CITY OF TUSCALOOSA

**TRENCH DETAIL**  
Improved Areas or Lawns

**WATER DISTRIBUTION STANDARD DETAILS**

REVISION		
DATE	DESCRIPTION	BY

FILE NAME: TRENCH	APPROVED BY: CITY OF TUSCALOOSA	PAGE NO. 9-13
DRAWN BY: BMG	INFRASTRUCTURE	
DATE: 10/13/17	CITY OF TUSCALOOSA	
SCALE: NOT TO SCALE		



**NOTES:**

- 1.) TRENCH FOUNDATION REQUIRED IF DIRECTED BY THE OWNER. DEPTH VARIES.
- 2.) ALL SLOPES SHALL CONFORM TO OSHA REQUIREMENTS. ADDITIONAL PROTECTIVE MEASURES MAY BE REQUIRED ABOVE AND BEYOND OSHA DEPENDING ON SPECIFIC TRENCH CONDITIONS. CONTRACTOR IS SOLELY RESPONSIBLE FOR THE SAFETY OF WORKERS, THE GENERAL PUBLIC, AND OTHERS INVOLVED IN THE PROJECT AND SHALL PROVIDE SHEETING, BRACING, OR WHATEVER ACTION NECESSARY TO INSURE THE SAFETY OF PEOPLE, PROPERTY, AND STRUCTURES.
- 3.) BEDDING:
  - (A) CLASS "1" SHALL BE ALDOT 801 No. 57 CRUSHED LIMESTONE (FOR P.V.C. PIPE USE ALDOT 8910)
  - (B) CLASS "2" SHALL BE REINFORCED CONCRETE 3000 PSI DESIGN MIX
  - (C) CLASS "3" SHALL BE NATIVE SOIL
- 4.) MINIMUM DEPTH OF COVER VARIES (SEE SECTION 2.10 MINIMUM / MAXIMUM COVER.)



THIS DRAWING AND ALL INFORMATION SHOWN HEREON IS THE PROPERTY OF THE CITY OF TUSCALOOSA AND MAY NOT BE REPRODUCED OR USED WITHOUT WRITTEN CONSENT OF THE CITY OF TUSCALOOSA.

COPYRIGHT © 2016 CITY OF TUSCALOOSA

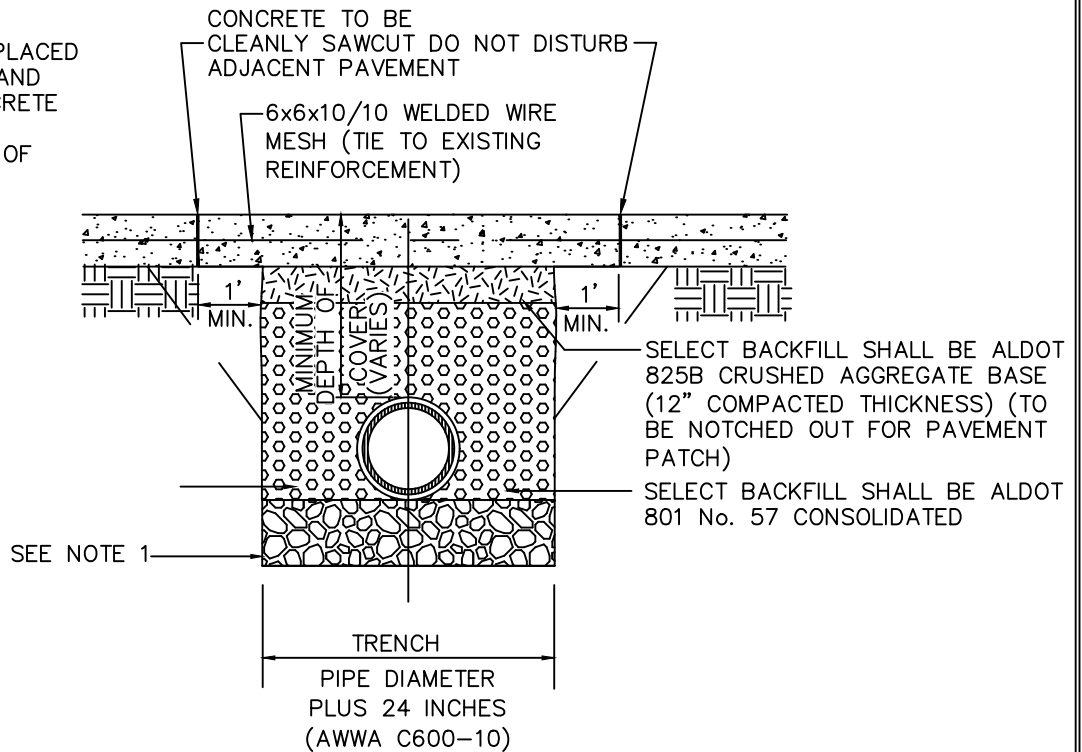
**TRENCH DETAIL**  
Cut Pavement and Drive Crossings

**WATER DISTRIBUTION STANDARD DETAILS**

REVISION		
DATE	DESCRIPTION	BY

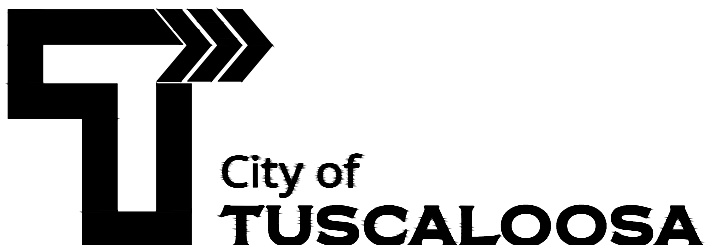
FILE NAME: TRENCH	APPROVED BY: CITY OF TUSCALOOSA	PAGE NO. 9-14
DRAWN BY: BMG	INFRASTRUCTURE	CITY OF TUSCALOOSA
DATE: 10/13/17		
SCALE: NOT TO SCALE		

CONCRETE SHALL BE REPLACED WITH INKIND THICKNESS AND FIBER REINFORCED. CONCRETE SHALL HAVE A 28 DAY COMPRESSIVE STRENGTH OF 4000 PSI.



**NOTES:**

- 1.) TRENCH FOUNDATION REQUIRED IF DIRECTED BY THE OWNER. DEPTH VARIES.
- 2.) ALL SLOPES SHALL CONFORM TO OSHA REQUIREMENTS. ADDITIONAL PROTECTIVE MEASURES MAY BE REQUIRED ABOVE AND BEYOND OSHA DEPENDING ON SPECIFIC TRENCH CONDITIONS. CONTRACTOR IS SOLELY RESPONSIBLE FOR THE SAFETY OF WORKERS, THE GENERAL PUBLIC, AND OTHERS INVOLVED IN THE PROJECT AND SHALL PROVIDE SHEETING, BRACING, OR WHATEVER ACTION NECESSARY TO INSURE THE SAFETY OF PEOPLE, PROPERTY, AND STRUCTURES.
- 3.) BEDDING:
  - (A) CLASS "1" SHALL BE ALDOT 801 No. 57 CRUSHED LIMESTONE (FOR P.V.C. PIPE USE ALDOT 8910)
  - (B) CLASS "2" SHALL BE REINFORCED CONCRETE 3000 PSI DESIGN MIX
  - (C) CLASS "3" SHALL BE NATIVE SOIL
- 4.) MINIMUM DEPTH OF COVER VARIES (SEE SECTION 2.10 MINIMUM / MAXIMUM COVER.)



THIS DRAWING AND ALL INFORMATION SHOWN HEREON IS THE PROPERTY OF THE CITY OF TUSCALOOSA AND MAY NOT BE REPRODUCED OR USED WITHOUT WRITTEN CONSENT OF THE CITY OF TUSCALOOSA.

COPYRIGHT © 2016 CITY OF TUSCALOOSA

**TRENCH DETAIL**  
Concrete Drive Replacement

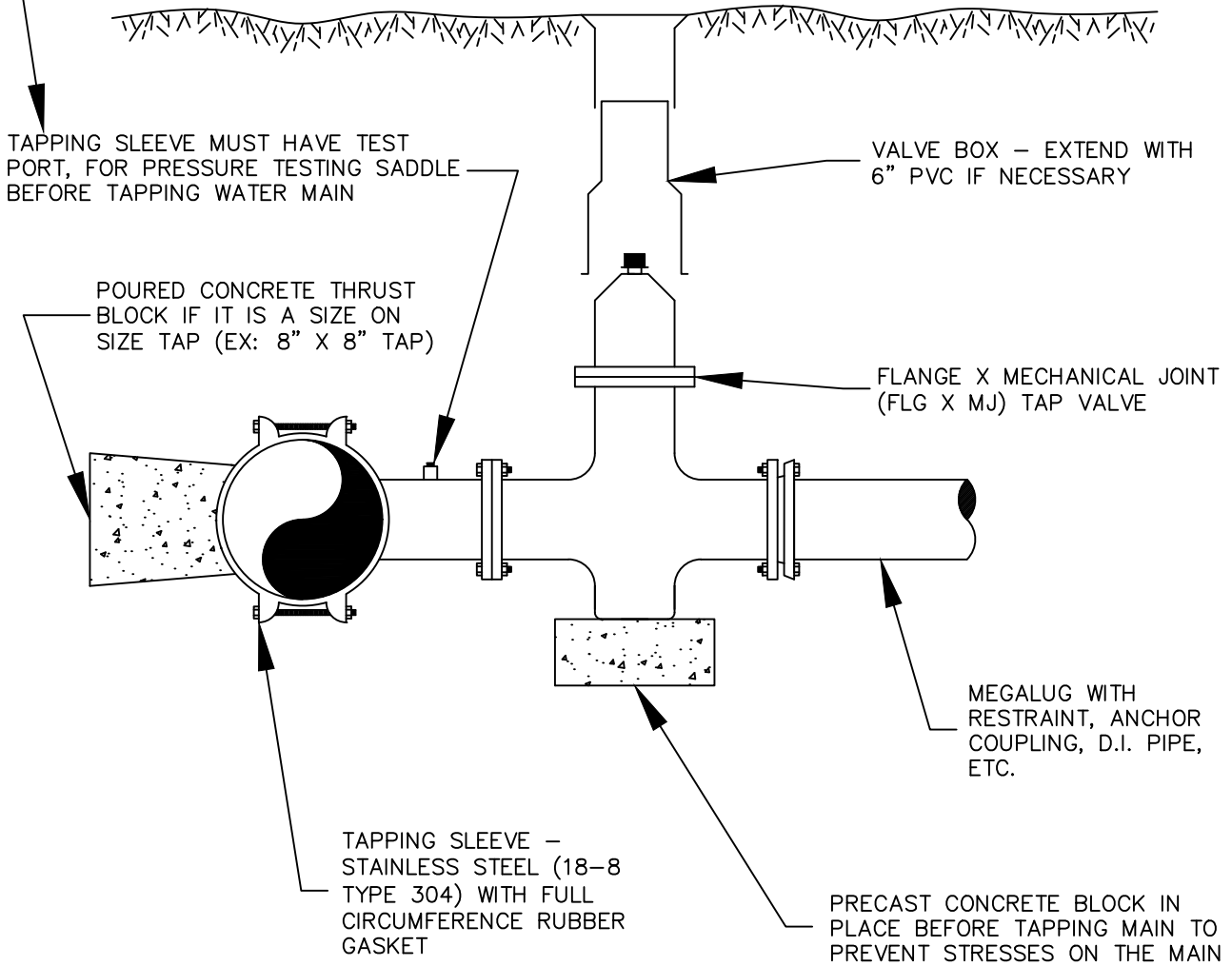
**WATER DISTRIBUTION STANDARD DETAILS**

REVISION		
DATE	DESCRIPTION	BY

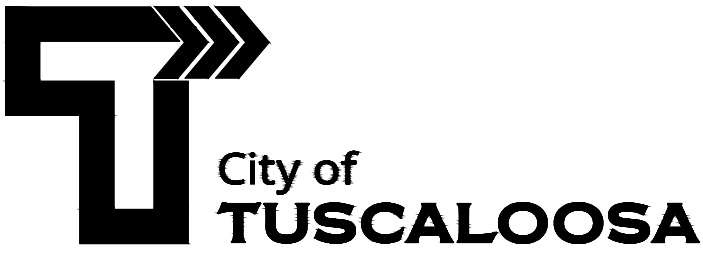
FILE NAME: TRENCH	APPROVED BY: CITY OF TUSCALOOSA	PAGE NO. 9-15
DRAWN BY: BMG	INFRASTRUCTURE	CITY OF TUSCALOOSA
DATE: 10/13/17		
SCALE: NOT TO SCALE		



\*TEST SADDLE @ 50 PSI (AIR) FOR 5 MINUTES, Ø ALLOWABLE LEAKAGE



- \* WHEN TAPPING A 16" OR LARGER MAIN, MECHANICAL JOINT TAPPING SLEEVE MUST BE USED
- \*\* ALL U OF A PROJECTS MUST USE MECHANICAL JOINT TAPPING SLEEVE REGARDLESS OF SIZE; PER U OF A CONTRACT (TIM LEOPARD)



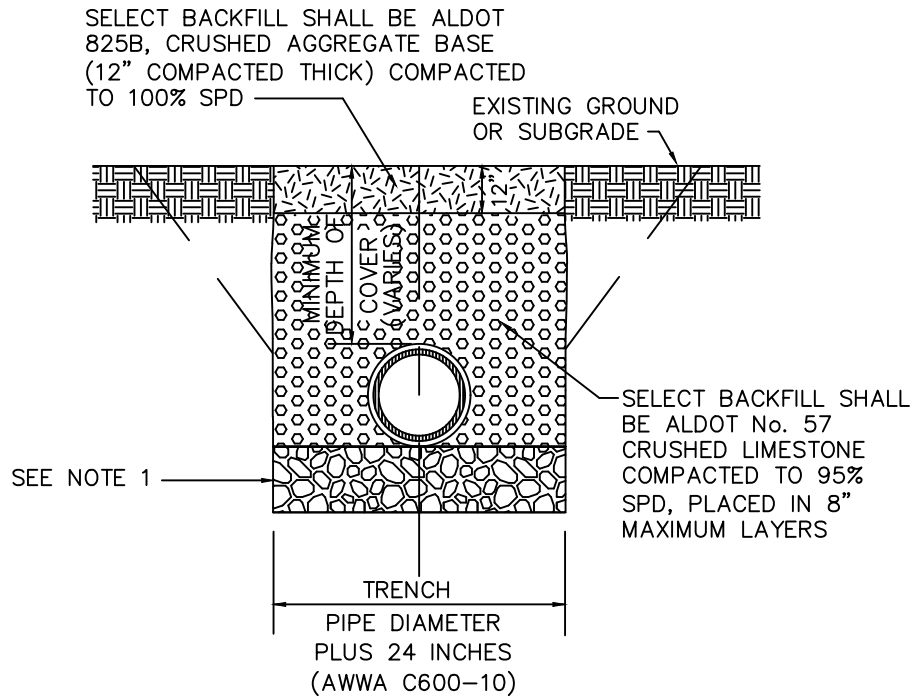
THIS DRAWING AND ALL INFORMATION SHOWN HEREON IS THE PROPERTY OF THE CITY OF TUSCALOOSA AND MAY NOT BE REPRODUCED OR USED WITHOUT WRITTEN CONSENT OF THE CITY OF TUSCALOOSA.  
 COPYRIGHT © 2016 CITY OF TUSCALOOSA

# TAPPING SLEEVE & VALVE

## WATER DISTRIBUTION STANDARD DETAILS

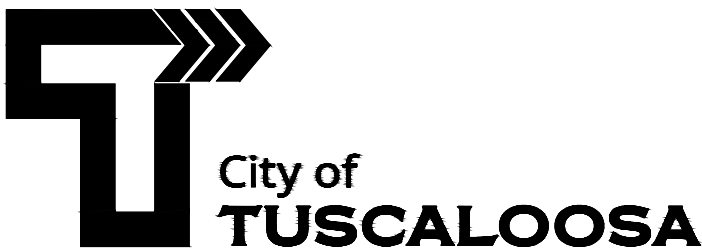
REVISION		
DATE	DESCRIPTION	BY
3/18/21	METER SET INSTALLATION	BMG

FILE NAME: SERVICE-INSTALLATION	APPROVED BY: CITY OF TUSCALOOSA	PAGE NO. <b>9-16</b>
DRAWN BY: BMG	INFRASTRUCTURE AND PUBLIC SERVICES	
DATE: 3/18/21		
SCALE: NOT TO SCALE		



**NOTES:**

- 1.) TRENCH FOUNDATION REQUIRED IF DIRECTED BY THE OWNER. DEPTH VARIES.
- 2.) ALL SLOPES SHALL CONFORM TO OSHA REQUIREMENTS. ADDITIONAL PROTECTIVE MEASURES MAY BE REQUIRED ABOVE AND BEYOND OSHA DEPENDING ON SPECIFIC TRENCH CONDITIONS. CONTRACTOR IS SOLELY RESPONSIBLE FOR THE SAFETY OF WORKERS, THE GENERAL PUBLIC, AND OTHERS INVOLVED IN THE PROJECT AND SHALL PROVIDE SHEETING, BRACING, OR WHATEVER ACTION NECESSARY TO INSURE THE SAFETY OF PEOPLE, PROPERTY, AND STRUCTURES.
- 3.) BEDDING:
  - (A) CLASS "1" SHALL BE ALDOT 801 No. 57 CRUSHED LIMESTONE (FOR P.V.C. PIPE USE ALDOT 8910)
  - (B) CLASS "2" SHALL BE REINFORCED CONCRETE 3000 PSI DESIGN MIX
  - (C) CLASS "3" SHALL BE NATIVE SOIL
- 4.) MINIMUM DEPTH OF COVER VARIES (SEE SECTION 2.10 MINIMUM / MAXIMUM COVER.)



THIS DRAWING AND ALL INFORMATION SHOWN HEREON IS THE PROPERTY OF THE CITY OF TUSCALOOSA AND MAY NOT BE REPRODUCED OR USED WITHOUT WRITTEN CONSENT OF THE CITY OF TUSCALOOSA.

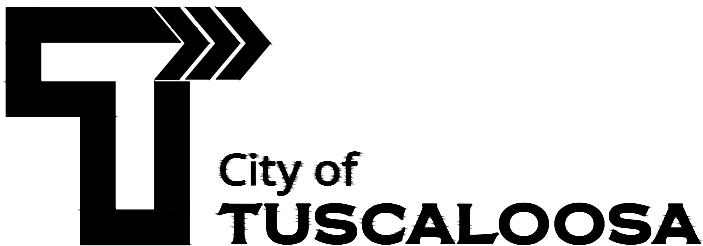
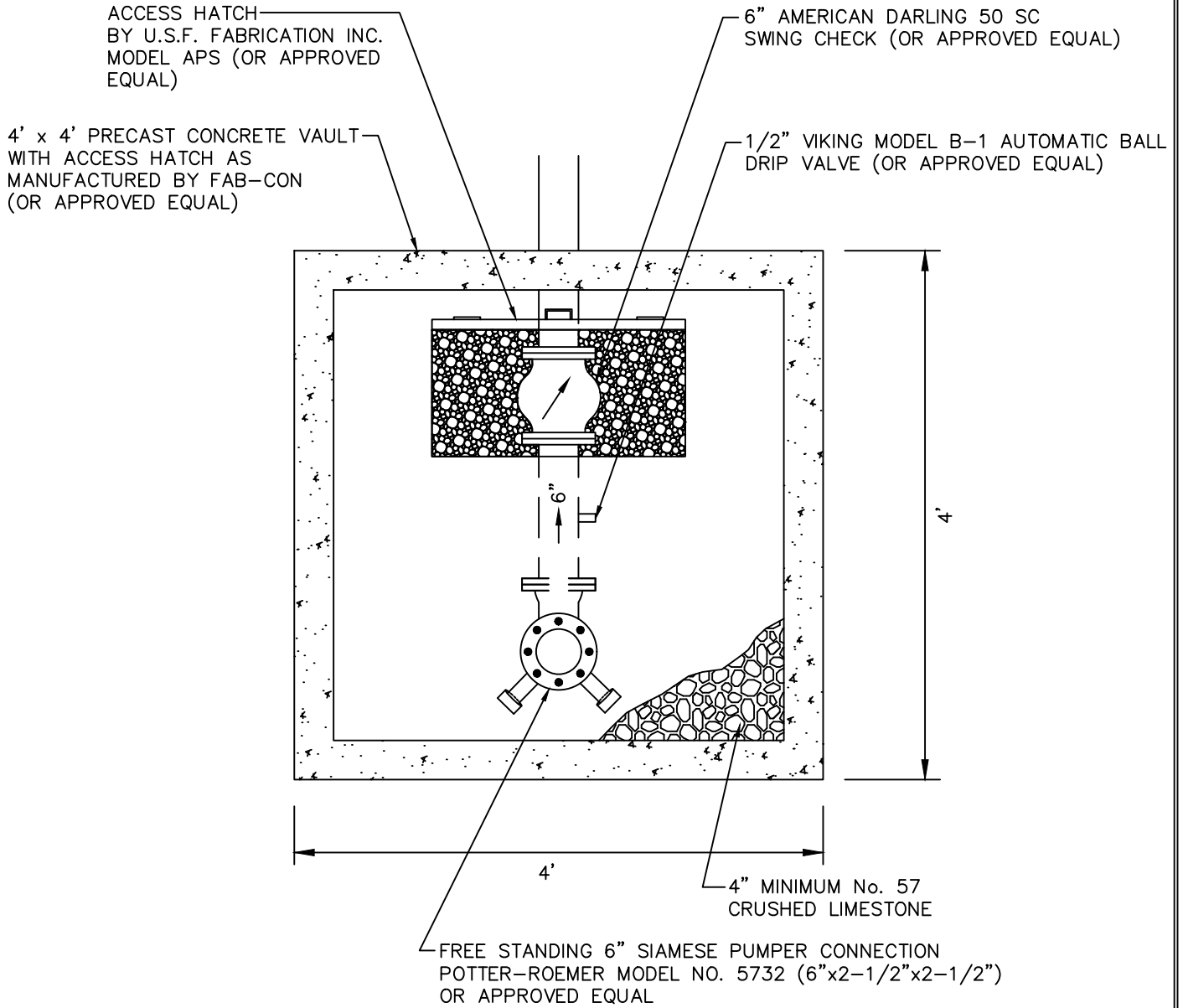
COPYRIGHT © 2016 CITY OF TUSCALOOSA

**TRENCH DETAIL  
WITHIN ROADWAY SHOULDER**

**WATER DISTRIBUTION STANDARD DETAILS**

REVISION		
DATE	DESCRIPTION	BY

FILE NAME: TRENCH	APPROVED BY: CITY OF TUSCALOOSA	PAGE NO. <b>9-16</b>
DRAWN BY: BMG	INFRASTRUCTURE	
DATE: 10/13/17	CITY OF TUSCALOOSA	
SCALE: NOT TO SCALE		



THIS DRAWING AND ALL INFORMATION SHOWN HEREON IS THE PROPERTY OF THE CITY OF TUSCALOOSA AND MAY NOT BE REPRODUCED OR USED WITHOUT WRITTEN CONSENT OF THE CITY OF TUSCALOOSA.

COPYRIGHT © 2016 CITY OF TUSCALOOSA

## Post Siamese Connection

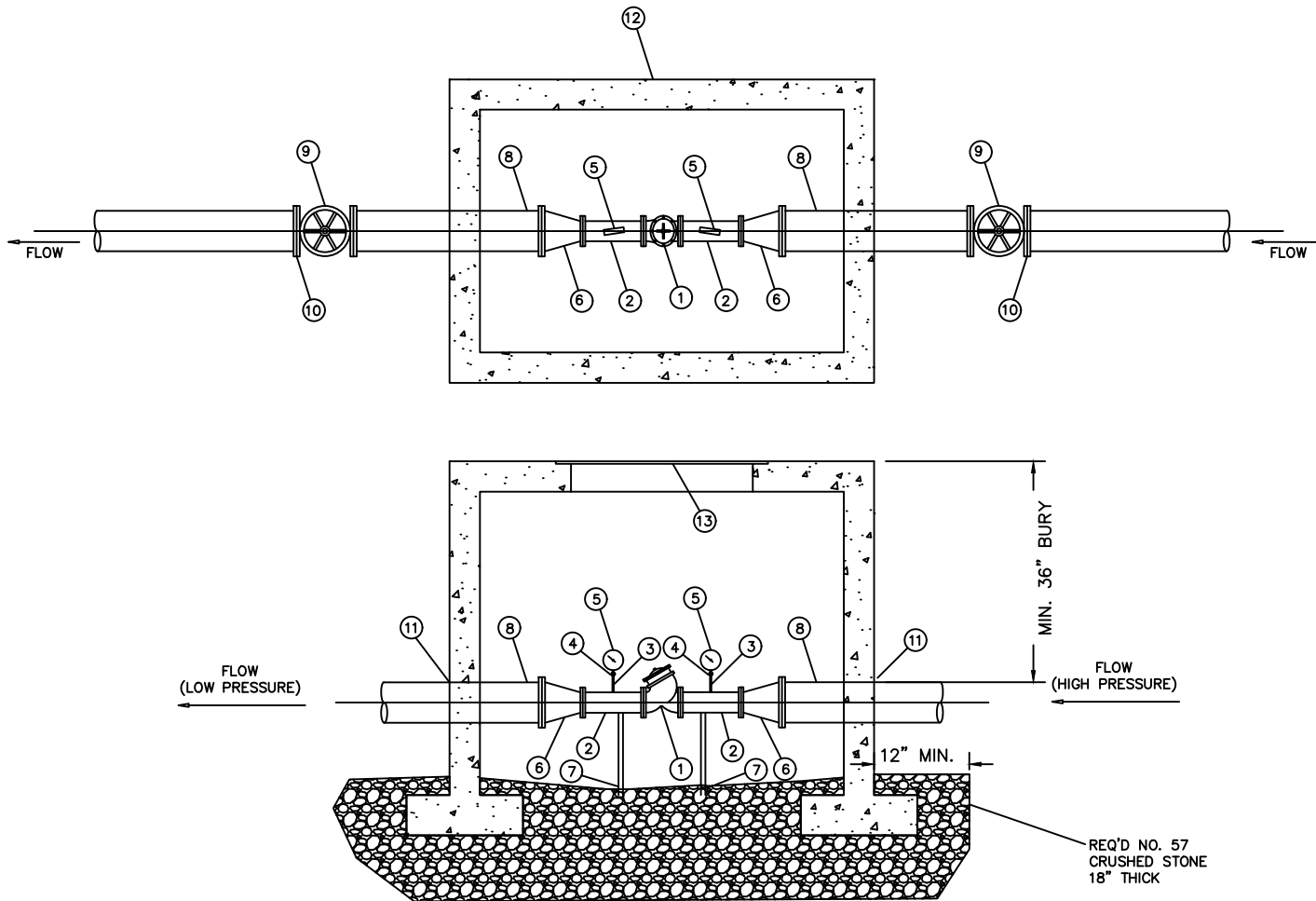
### WATER DISTRIBUTION STANDARD DETAILS

REVISION		
DATE	DESCRIPTION	BY

FILE NAME: SIAM-CONN  
DRAWN BY: BMC  
DATE: 10/13/17  
SCALE: NOT TO SCALE

APPROVED BY:  
CITY OF TUSCALOOSA  
INFRASTRUCTURE  
AND PUBLIC SERVICES

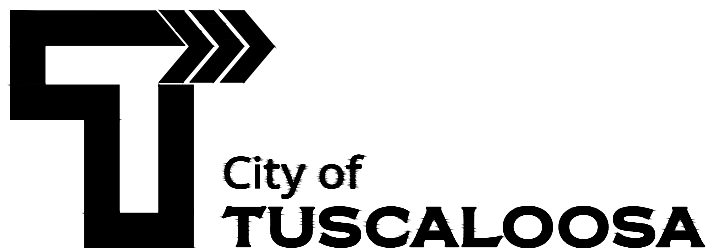
PAGE NO.  
**9-17**



NOTE: A FIRE HYDRANT SHOULD BE LOCATED WITHIN 1000' OF THE LOW PRESSURE SIDE OF PRV. IF HYDRANT IS NOT ALREADY INSTALLED WITHIN 1000 FT. A NEW HYDRANT SHOULD BE INSTALLED AS PART OF INSTALLATION OF PRV.

NOTE: SIZE OF PRV COMPONENTS IS DEPENDENT ON WATER MAIN SIZES AND AS DETERMINED BY DESIGN ENGINEER.

KEY	QUANTITY	DESCRIPTION
1	1 EA	PRV/PRESSURE SUSTAINING VALVE WITH POSITION INDICATOR
2	2 EA	FLG x FLG SPOOL WITH TAP
3	2 EA	1/4"x6" BRASS NIPPLE
4	2 EA	1/4" BRASS BALL VALVE
5	2 EA	LIQUID-FILLED PRESSURE GAUGE, 0-160 PSI, 4" DIA. GAUGE FACE
6	2 EA	FLANGED CONCENTRIC REDUCER
7	2 EA	ADJUSTABLE PIPE SUPPORT
8	2 EA	FLG x PE SPOOL
9	3 EA	MJ GATE VALVE WITH CAST IRON VALVE BOX
10	8 EA	RESTRAINING GLAND (MEGA LUG OR EQUAL)
11	2 EA	PIPE PENETRATION
12	1 EA	PRE-CAST CONCRETE VAULT
13	1 EA	SQUARE ALUMINUM ACCESS HATCH



THIS DRAWING AND ALL INFORMATION SHOWN HEREON IS THE PROPERTY OF THE CITY OF TUSCALOOSA AND MAY NOT BE REPRODUCED OR USED WITHOUT WRITTEN CONSENT OF THE CITY OF TUSCALOOSA.

COPYRIGHT © 2016 CITY OF TUSCALOOSA

## Pressure Reducing Valve Assembly

*WATER DISTRIBUTION STANDARD DETAILS*

*REVISION*

DATE	DESCRIPTION	BY

FILE NAME: 9-18 PRV DETAIL  
 DRAWN BY: BMG  
 DATE: 5/28/2021  
 SCALE: NOT TO SCALE

APPROVED BY:  
 CITY OF TUSCALOOSA  
 INFRASTRUCTURE  
 AND PUBLIC SERVICES

PAGE NO.  
**9-18**