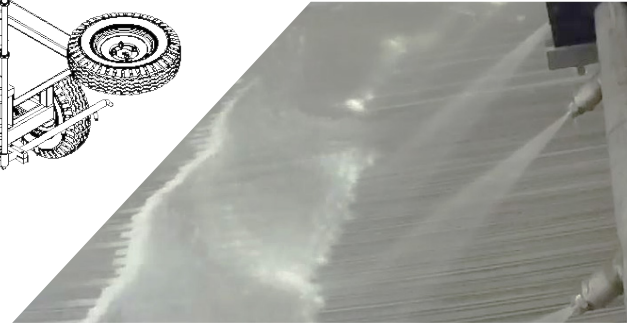
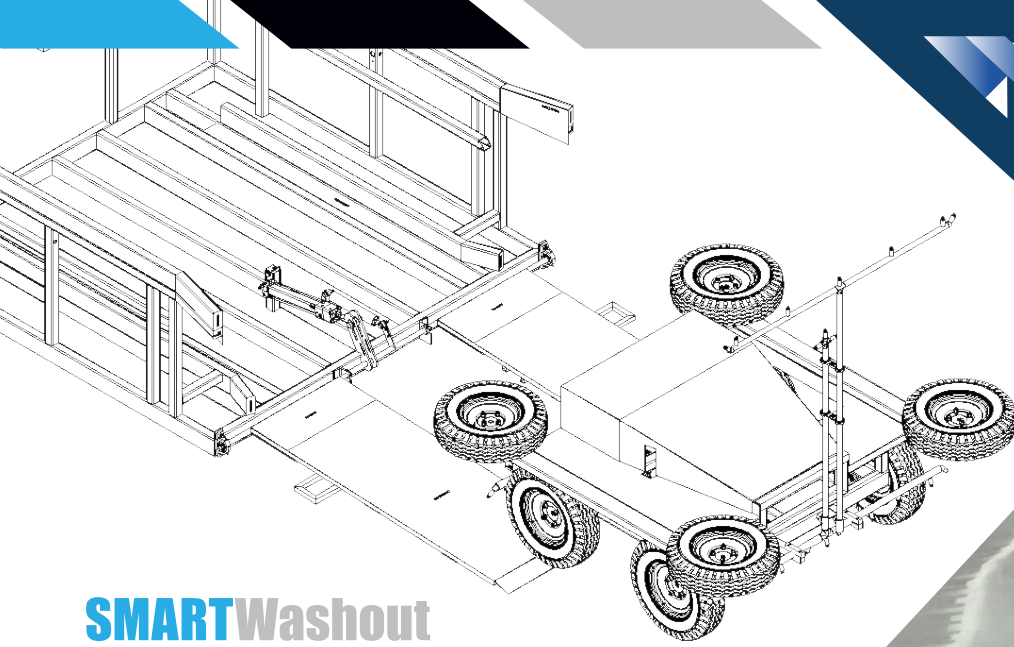


Reefer Vans, Trailers, & Containers



SMARTWashout Cleans. Sanitizes. Protects.

WSI helps food transportation operators implement and document sanitary practices that **meet FDA and FSMA expectations** reducing the risk of cross contamination, audit findings, and public food safety incidents that can damage brand trust and customer confidence. Most washout systems clean trailers, ours manages sanitation.

Features:

- Durable Stainless Steel Construction
- Performance, Compliance-based Chemistry
- Real Time Data and Analytics
- Electrically Driven / 4WD Traction Control
- Programmable, Intuitive UI / UX Touchscreen
- UL / NSF Certified
- Accurate, Audit-Ready Documentation
- Fast, Efficient Cleaning and Performance



Available Options:

- Cube Mister – Sanitizer (99.9%, a 3-log reduction)
- Adjustable Dock
- Multi-bay Functionality

Food-safe trailer sanitation and documentation made simple.



Purpose

The SMARTWashout internal trailer system by WSI helps **protect** your operation and your customers by **cleaning** and **sanitizing** transport trailers and equipment to prevent food contamination and ensure food safety during transportation, in accordance with the FSMA's guidelines and the FDA's Sanitary Transportation of Human and Animal Food Rules.

By delivering **consistent, validated wash processes**, it reduces the risk of outbreaks and strengthens confidence across the supply chain.

SMARTWashout supports FSMA compliance through standardized, repeatable procedures, while providing the foundation for clear written cleaning protocols.

In addition, the system **automatically captures and organizes wash data**, giving you accurate, audit-ready documentation that can be easily provided during inspections, ensuring accountability, compliance, and peace of mind.

Process:

- Pre-Cleaning Inspection ► Cleaning ► Sanitizing
- Post-Cleaning Inspection and Documentation

Documentation and Benefits:

- Automatically records and stores data for each wash
- Real-time analysis, trends and reporting dashboard
- Training, management and support

Return on Investment (ROI):

- What is one outbreak, audit, or incident worth to you?
- SMARTWashout typically has a 12-18 month (ROI)

SMARTWashout
clean. sanitize. protect.



When food safety is questioned, 'we washed it' isn't enough. SMART Washout provides **controlled, verifiable, automated sanitation**.

Want to know more, and take the next step?

watch the video below, and then contact us



SMARTWashout
In Action Video



Ready to
Take Action?