

Description

- Factory fabricated from rigid Perlite insulation board.
- Cut at angles that provide a true 45° angle between horizontal and vertical surfaces.
- UL Flame Spread Rating 25.
- Easy to fabricate for installation with most types of roof systems.
- Strips are available in 3", 4", 5" and 5 3/4" (76, 102, 127 and 146mm) nominal sizes.

Cant Sizes*

1"	X	4"	X	48"
1"	X	3"	X	48"
1 1/2"	X	4"	X	48"
1 1/2"	X	5"	X	48"
1 1/2"	X	5 3/4"	X	48"

All sizes shown are nominal and subject to nominal manufacturing tolerances.

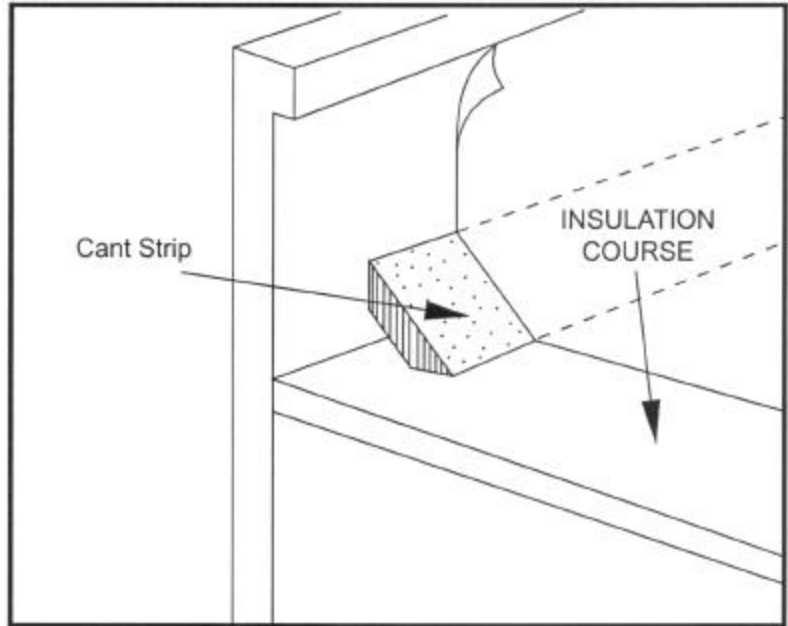
Uses

- To provide a smooth transition from horizontal to vertical surfaces.
- Properly installed, Perlite roof insulation is suitable for use under built-up, modified bitumen and some single ply roofing systems.
- Refer to the application specifications in the current Membrane Manufacturer's Application and Specifications Manual for proper installation procedures for Perlite roof insulation.

Specification Benefits

- UL Flame Spread Rating 25.
- Strong and dimensionally stable.
- Available in 5 standard sizes.
- Can be shipped in mixed loads with roof insulation and tapered systems.
- Multiple shipping locations.
- Easily identifiable bundles.
- Cant Strips have at least 25% post-consumer recycled content and comply with the Environmental Protection Agency Regulation 40 CFR Part 248, "Guideline for Federal Procurement of Building Insulation Products Containing Recovered Materials", as a recycled product approved for use on any project using federal funds.

Perlite Cant Strip



Limitations

- Perlite roof insulation is a non-structural, non-load bearing material.
- Perlite roof insulation should not be left exposed to the weather.
- No more insulation should be applied than can be completely covered with finished roofing on the same day.
- It is NOT designed for use under fully adhered single ply systems nor for direct torch application of modified bitumen.
- If torch grade, modified bitumen roofing is to be installed over Perlite, a fiber glass base sheet MUST first be installed.

Cant Sizes and Packaging

Nominal Size		Per Bundle		Per Pallet	
		Pcs.	Ln. Ft.	Bnds.	Ln. Ft.
1 x 4		28	112	22	2464
1 1/2 x 4		30	120	20	2400
1 1/2 x 5		18	72	20	1440
1 1/2 x 5 3/4		15	60	20	1200



This symbol identifies this Perlite® product as one that uses a substantial amount of recycled materials and is biodegradable in the future.